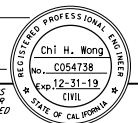
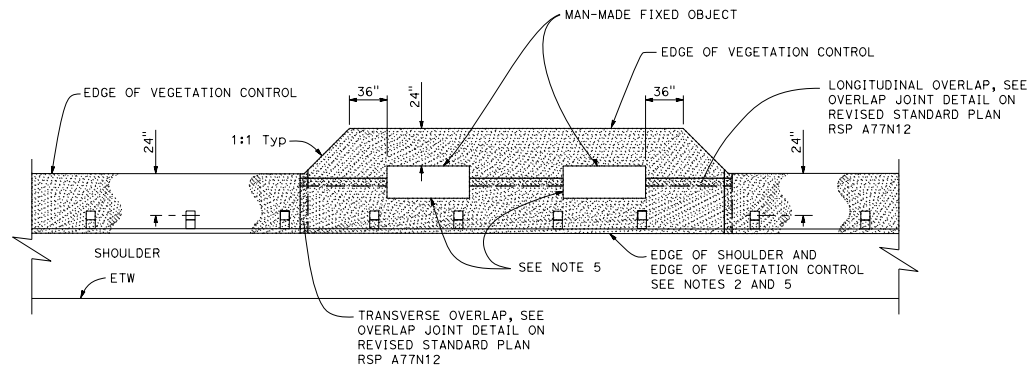


DIST	COUNTY	ROUTE	POST MILES TOTAL PROJECT	SHEET NO.	TOTAL SHEETS

*Chi H. Wong*  
 REGISTERED CIVIL ENGINEER  
 April 20, 2018  
 PLANS APPROVAL DATE  
THE STATE OF CALIFORNIA OR ITS OFFICERS OR AGENTS SHALL NOT BE RESPONSIBLE FOR THE ACCURACY OR COMPLETENESS OF SCANNED COPIES OF THIS PLAN SHEET.



TO ACCOMPANY PLANS DATED \_\_\_\_\_



**PLAN**  
Fixed object(s) on shoulder

**NOTES:**

1. For additional vegetation control details, see Revised Standard Plan RSP A77N12.
2. Where paved shoulder is constructed within 24" of the post center, construct vegetation control to the edge of paved shoulder.
3. Vegetation control must slope in direction of water flow.
4. This plan for vegetation control installation only.
5. Caulk longitudinal and transverse edges of vegetation control mat where it abuts to paved surface or man-made fixed objects, except guardrail posts.

STATE OF CALIFORNIA  
DEPARTMENT OF TRANSPORTATION

**FIBER OR RUBBER MAT VEGETATION CONTROL  
GUARDRAIL SYSTEM  
AT FIXED OBJECT**

NO SCALE

RSP A77N16 DATED APRIL 20, 2018 SUPPLEMENTS THE STANDARD PLANS BOOK DATED 2015.

**REVISED STANDARD PLAN RSP A77N16**

2015 REVISED STANDARD PLAN RSP A77N16