

DIST	COUNTY	ROUTE	POST MILES TOTAL PROJECT	SHEET NO.	TOTAL SHEETS

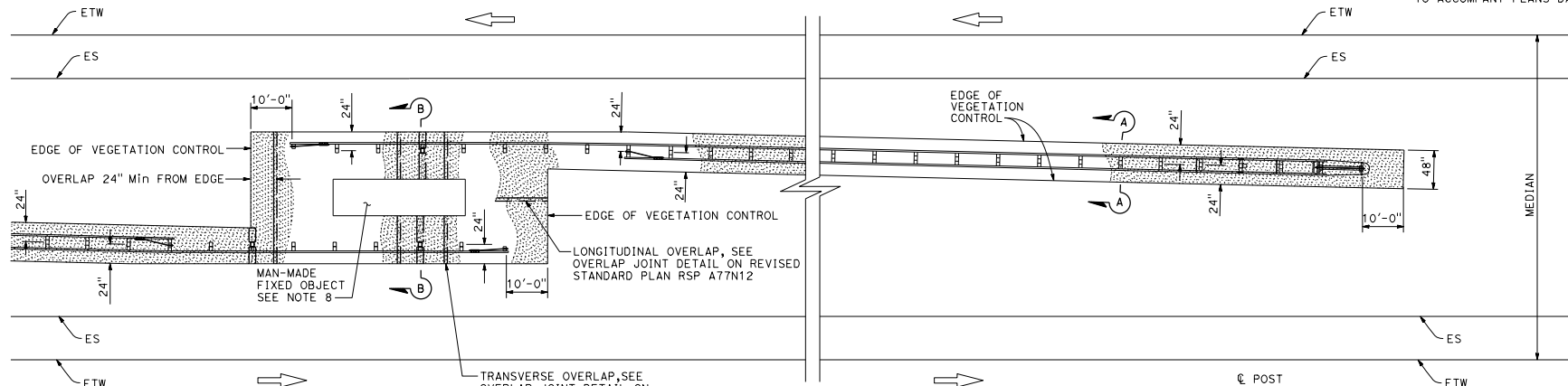
Chi H. Wong
 REGISTERED CIVIL ENGINEER
 No. C054738
 Exp. 12-31-19
 CIVIL
 STATE OF CALIFORNIA

April 20, 2018
 PLANS APPROVAL DATE
 THE STATE OF CALIFORNIA OR ITS OFFICERS OR AGENTS SHALL NOT BE RESPONSIBLE FOR THE ACCURACY OR COMPLETENESS OF SCANNED COPIES OF THIS PLAN SHEET.

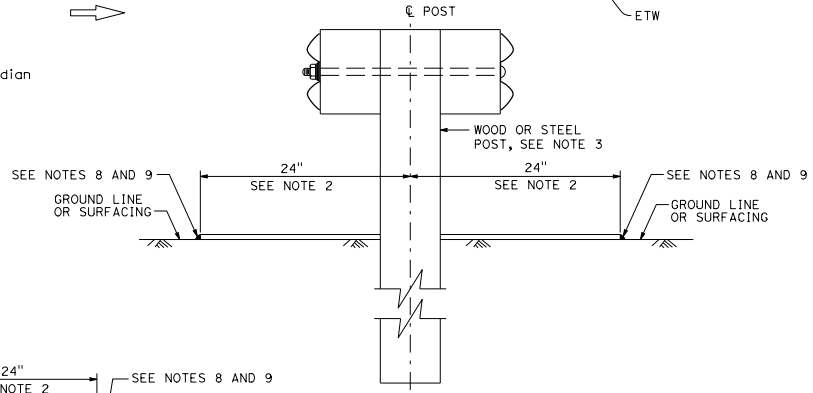
NOTES:

- For additional vegetation control details, see Revised Standard Plan RSP A77N12.
- Where dike is constructed under barrier, construct vegetation control to back edge of dike. Where paved shoulder is constructed within 24" of the post center, construct vegetation control to the edge of paved shoulder.
- For wood and steel post sizes, see Revised Standard Plans RSP A77N1 and RSP A77N2.
- For details not shown, see Revised Standard Plans RSP A77L1 and RSP A77L2.
- This plan for vegetation control installation only.
- Vegetation control must slope in direction of water flow.
- Place transverse and longitudinal overlap joint within the limits of vegetation control where applicable.
- Caulk longitudinal and transverse edges of vegetation control mat where it abuts to paved surface or man-made fixed objects, except guardrail posts.
- Where vegetation control is adjacent to a dike, see details on Revised Standard Plan RSP A77N12.

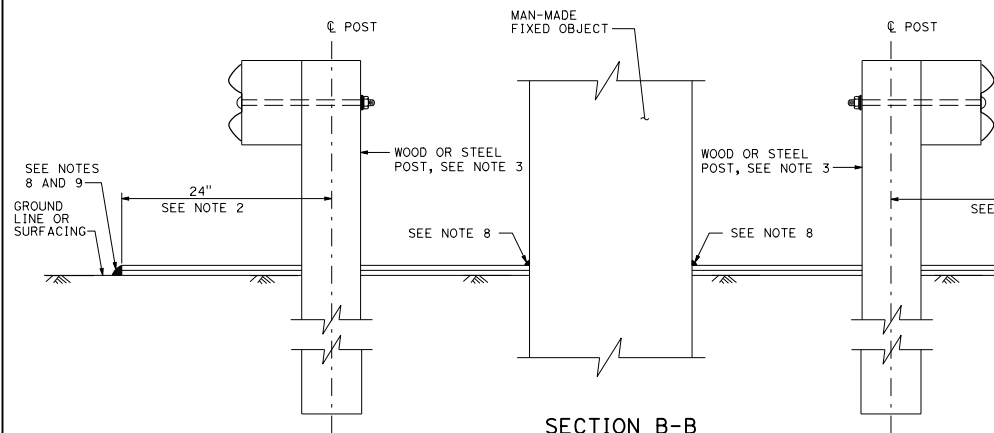
TO ACCOMPANY PLANS DATED _____



PLAN
Fixed object(s) in median



SECTION A-A



SECTION B-B

STATE OF CALIFORNIA
DEPARTMENT OF TRANSPORTATION
**FIBER OR RUBBER MAT VEGETATION CONTROL
GUARDRAIL SYSTEM AT FIXED OBJECT**

NO SCALE

RSP A77N17 DATED APRIL 20, 2018 SUPPLEMENTS THE STANDARD PLANS BOOK DATED 2015.

REVISED STANDARD PLAN RSP A77N17

2015 REVISED STANDARD PLAN RSP A77N17