

DIST	COUNTY	ROUTE	POST MILES TOTAL PROJECT	SHEET NO.	TOTAL SHEETS

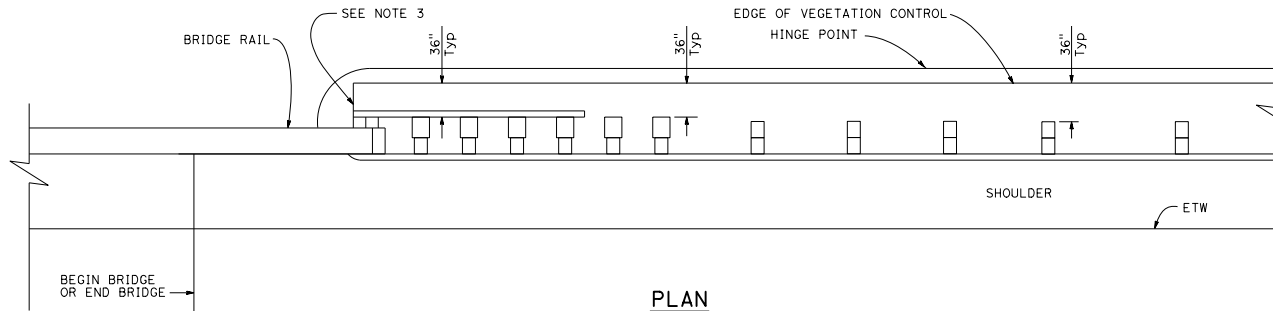
Chi H. Wong
REGISTERED CIVIL ENGINEER

April 20, 2018
PLANS APPROVAL DATE

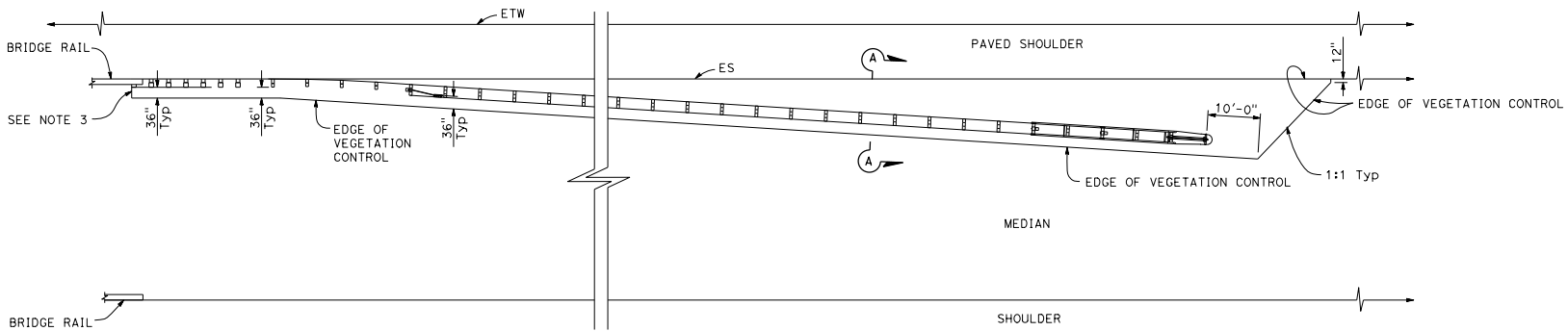
Chi H. Wong
No. C054738
Exp. 12-31-19
CIVIL
STATE OF CALIFORNIA

THE STATE OF CALIFORNIA OR ITS OFFICERS OR AGENTS SHALL NOT BE RESPONSIBLE FOR THE ACCURACY OR COMPLETENESS OF SCANNED COPIES OF THIS PLAN SHEET.

TO ACCOMPANY PLANS DATED _____



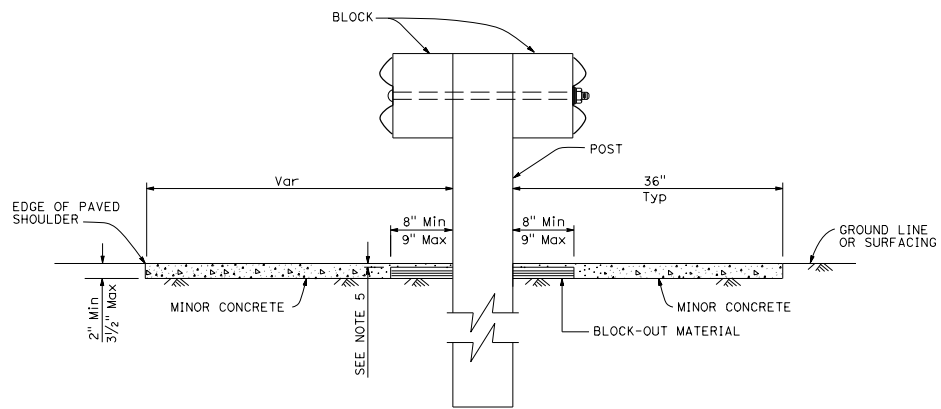
PLAN



PLAN

NOTES:

1. See Revised Standard Plan RSP A77N5 for additional vegetation control details.
2. Where the distance between back of post and hinge point is less than 42", construct vegetation control to 6" from hinge point while maintaining the 8" block-out at back of post.
3. End vegetation control at end of backside rail element.
4. Vegetation control must slope to drain water.
5. Concrete over block-out material depth, construct 3/8" Min to 5/8" Max.
6. This plan for vegetation control installation only.



SECTION A-A

STATE OF CALIFORNIA
DEPARTMENT OF TRANSPORTATION

**MINOR CONCRETE VEGETATION CONTROL
GUARDRAIL SYSTEM
AT STRUCTURE APPROACH**

NO SCALE

RSP A77N7 DATED APRIL 20, 2018 SUPERSEDES RSP A77N7
DATED JULY 21, 2017 AND STANDARD PLAN A77N7
DATED OCTOBER 30, 2015 - PAGE 59 OF THE STANDARD PLANS BOOK DATED 2015.

REVISED STANDARD PLAN RSP A77N7

2015 REVISED STANDARD PLAN RSP A77N7