

DIST	COUNTY	ROUTE	POST MILES TOTAL PROJECT	SHEET NO.	TOTAL SHEETS

*Chi H. Wong*  
 REGISTERED CIVIL ENGINEER  
 April 20, 2018  
 PLANS APPROVAL DATE  
 THE STATE OF CALIFORNIA OR ITS OFFICERS OR AGENTS SHALL NOT BE RESPONSIBLE FOR THE ACCURACY OR COMPLETENESS OF SCANNED COPIES OF THIS PLAN SHEET.

REGISTERED PROFESSIONAL ENGINEER

Chi H. Wong

No. C054738

Exp. 12-31-19

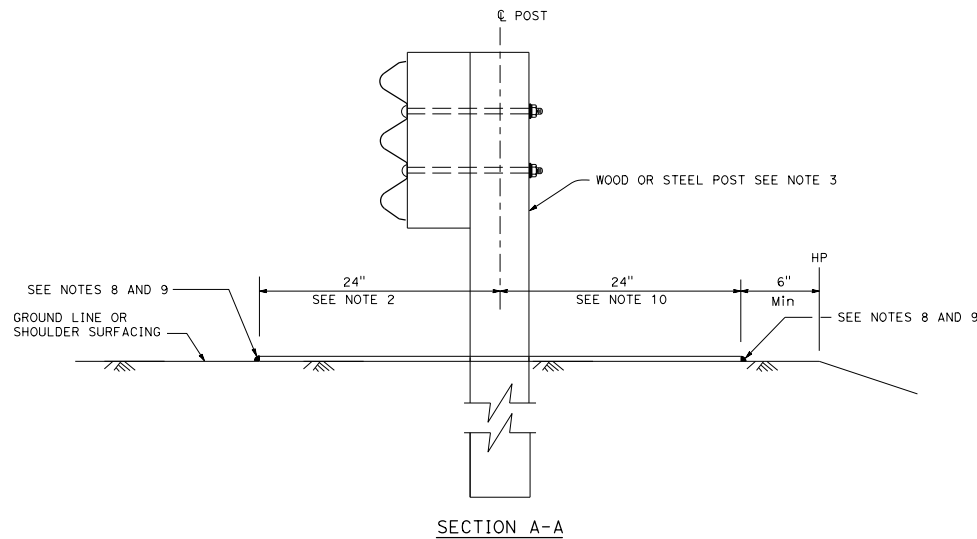
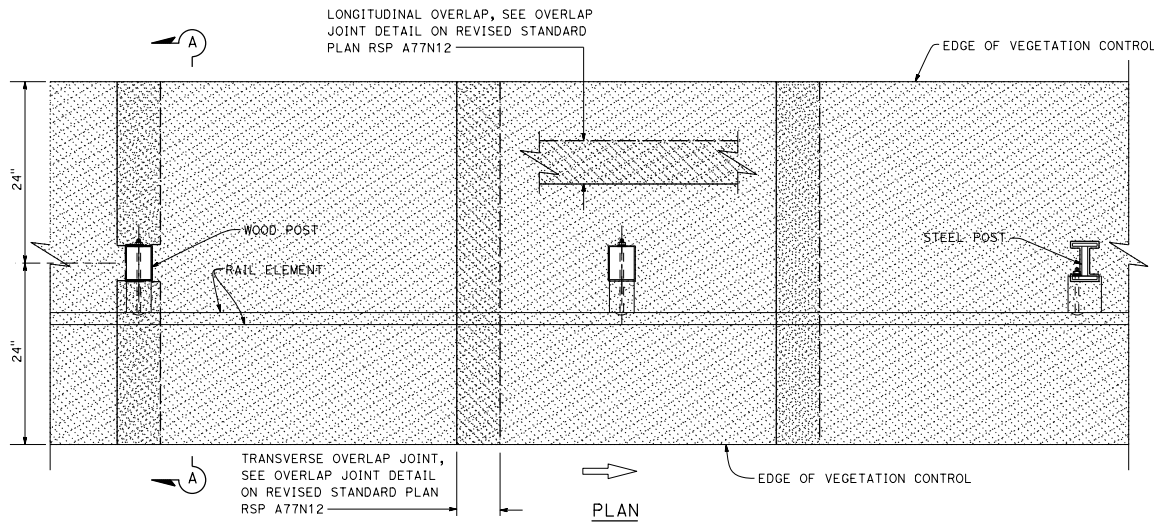
CIVIL

STATE OF CALIFORNIA

TO ACCOMPANY PLANS DATED \_\_\_\_\_

**NOTES:**

1. For additional vegetation control details, see Revised Standard Plan RSP A77N12.
2. Where dike is constructed under barrier, construct vegetation control to back edge of dike. Where paved shoulder is constructed within 24" of the post center, construct vegetation control to the edge of paved shoulder.
3. For wood and steel post sizes, see Standard Plan A78C2.
4. For details not shown, see Revised Standard Plan RSP A78A and Standard Plan A78B.
5. This plan for vegetation control installation only.
6. Vegetation control must slope in direction of water flow.
7. Place transverse and longitudinal overlap joint within the limits of vegetation control where applicable.
8. Caulk longitudinal and transverse edges of vegetation control mat where it abuts to paved surface or man-made fixed objects, except guardrail posts.
9. Where vegetation control is adjacent to a dike, see details on Revised Standard Plan RSP A77N12.
10. Where the distance between center of post and hinge point is less than 30", construct vegetation control to 6" from the hinge point. For narrow installation, see Revised Standard Plan RSP A77N13.



STATE OF CALIFORNIA  
DEPARTMENT OF TRANSPORTATION  
**FIBER OR RUBBER MAT  
VEGETATION CONTROL  
SINGLE THRIE BEAM BARRIER**

NO SCALE

RSP A78C7 DATED APRIL 20, 2018 SUPPLEMENTS THE STANDARD PLANS BOOK DATED 2015.

**REVISED STANDARD PLAN RSP A78C7**

2015 REVISED STANDARD PLAN RSP A78C7