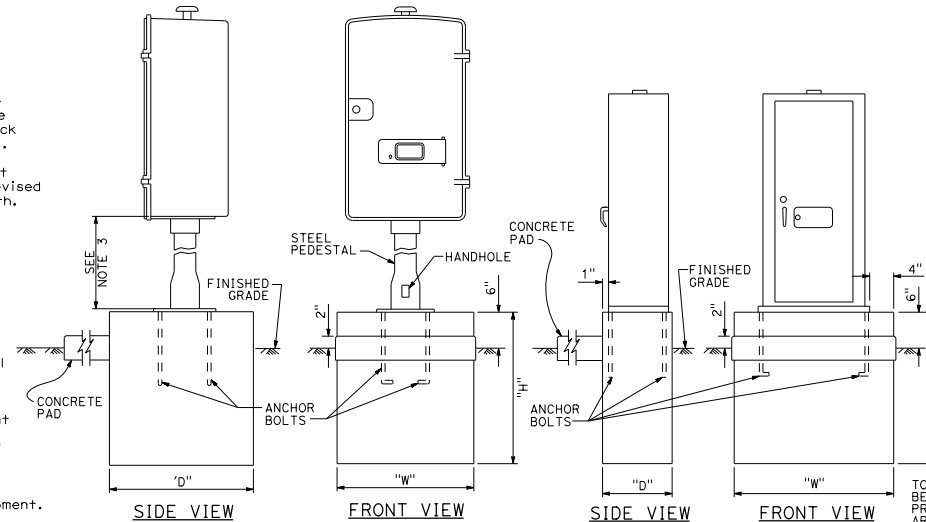


**NOTES:**

- Type G, M, P, R, S and Model 336L cabinets shall be installed with the back toward the nearest lane of traffic.
- In unpaved areas, a raised portland cement concrete pad shall be constructed in front of each controller cabinet. The pad shall be 3'-0" x 3'-0" x 4" for a Type G cabinet and shall be 3'-0" x 4" thick x width of foundation for Type M, P, R, S and Model 336L cabinets.
- The steel pedestal, base plate, and bolt circle for Type G cabinet shall be the same as that shown for a Type 1-C Standard (see Revised Standard Plan RSP ES-7B). Pedestal shall be 2'-1" to 2'-6" in length. Anchor bolts shall be 3/4"  $\phi$  x 1'-6" with a 2" - 90° bend. Four bolts required per cabinet.
- Type G cabinet shall be provided with a slipfitter to permit mounting on 4 1/2" outside diameter pedestal. Slipfitter shall be bolted to bottom of the cabinet.
- A 1" drain shall be provided through the foundation of a Type M or Model 336L cabinet. Drain pipe shall be screened.
- Cabinet shelves shall be adjustable for vertical spacing and shall be removable. Type M, P, R and S cabinets shall be provided with a minimum of two shelves.
- Controller units, plug-mounted equipment, shelf-mounted equipment and wall-mounted equipment shall be located to permit safe and easy removal or replacement without removing any other piece of equipment.
- Where telephone interconnect is required, a minimum of 5" clear vertical space shall be provided inside the cabinet for the equipment.
- Telephone interconnect conductors shall be enclosed in a 3/4" C or larger conduit through the foundation. Type 4 conduit shall be used to separate telephone and power conductors in cabinets or pedestals.
- Anchor bolts for Type M, P, R, S and Model 336L cabinets shall be 3/4"  $\phi$  x 1'-6" with a 2" - 90° bend.



**FOUNDATION FOR  
TYPE G CABINET  
DETAIL A**

**FOUNDATION FOR  
TYPE P, R AND S CABINETS  
DETAIL B**

DIST	COUNTY	ROUTE	POST MILES TOTAL PROJECT	SHEET NO.	TOTAL SHEETS

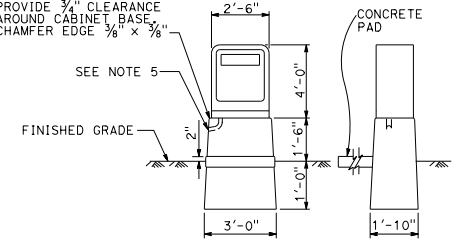
*H. R. J.*  
 REGISTERED ELECTRICAL ENGINEER  
 Hamid Zolfaghari  
 No. E15636  
 Exp. 12-31-19  
 REGISTERED PROFESSIONAL ENGINEER  
 STATE OF CALIFORNIA

April 20, 2018  
 PLANS APPROVAL DATE  
 THE STATE OF CALIFORNIA OR ITS OFFICERS OR AGENTS SHALL NOT BE RESPONSIBLE FOR THE ACCURACY OR COMPLETENESS OF SCANNED COPIES OF THIS PLAN SHEET.

TO ACCOMPANY PLANS DATED \_\_\_\_\_

CABINET TYPE	FOUNDATION		
	"W"	"H"	"D"
G	2'-0"	3'-6"	2'-0"
M	3'-2"	2'-6"	1'-6"
P	4'-4 1/2"	1'-6"	2'-4"
R	4'-2"	1'-6"	2'-4"
S	5'-11 1/2"	1'-6"	2'-4"

TOP OF PEDESTAL SHALL BE LARGE ENOUGH TO PROVIDE 3/4" CLEARANCE AROUND CABINET BASE. CHAMFER EDGE 3/8" x 3/8"



**FRONT VIEW SIDE VIEW  
PEDESTAL FOUNDATION  
FOR TYPE M OR  
MODEL 336L CABINET  
DETAIL C**

**NOTES:**

- Material: 0.188" thickness aluminum plate.
- Adapter for Type P or Type R cabinet foundation.
- Adapter for Type M cabinet foundation.
- Mounting bolts shall be 3/8"  $\phi$  minimum size.

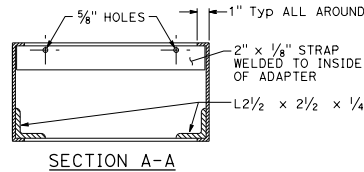
STATE OF CALIFORNIA  
DEPARTMENT OF TRANSPORTATION

**ELECTRICAL SYSTEMS  
(CONTROLLER CABINET ADAPTER,  
FOUNDATIONS, AND PAD DETAILS)**

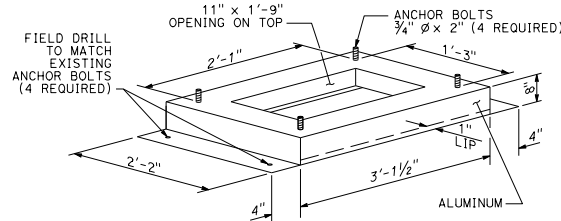
NO SCALE

RSP ES-3B DATED APRIL 20, 2018 SUPERSEDES RSP ES-3B DATED JULY 21, 2017  
AND RSP ES-3B DATED APRIL 15, 2016 AND STANDARD PLAN ES-3B  
DATED OCTOBER 30, 2015 - PAGE 429 OF THE STANDARD PLANS BOOK DATED 2015.

**REVISED STANDARD PLAN RSP ES-3B**

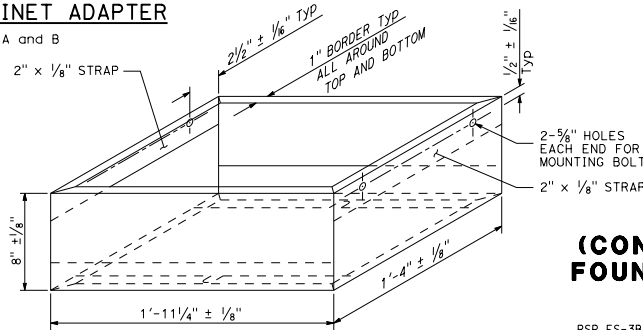


**SECTION A-A**



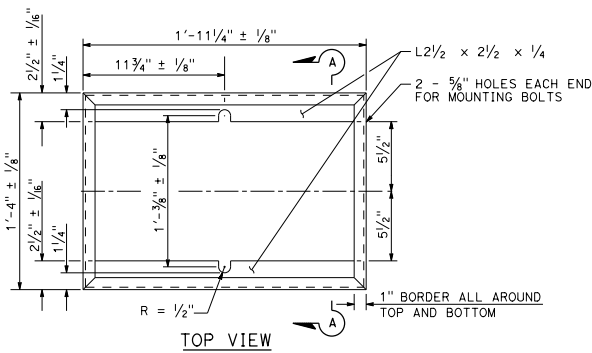
**TYPE PR CABINET ADAPTER**

See Notes A and B



**TYPE M CABINET ADAPTER**

See Notes A, C, and D



**TOP VIEW**