
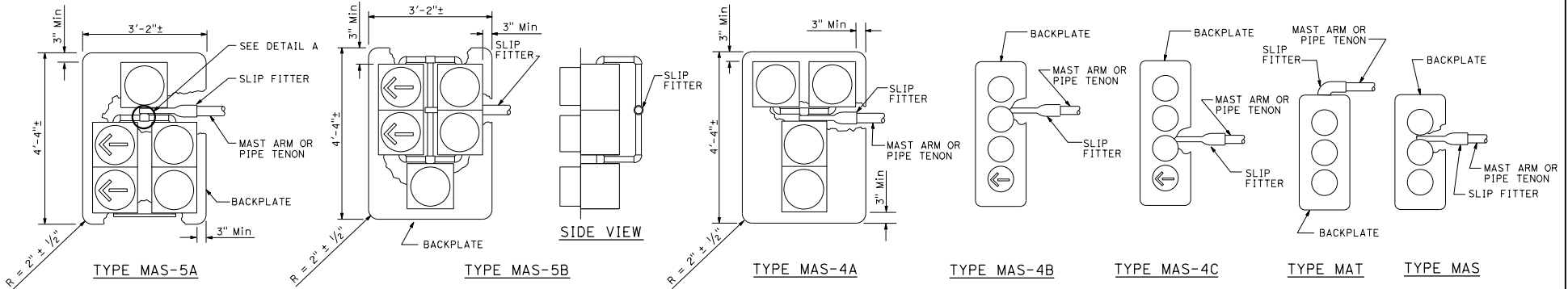
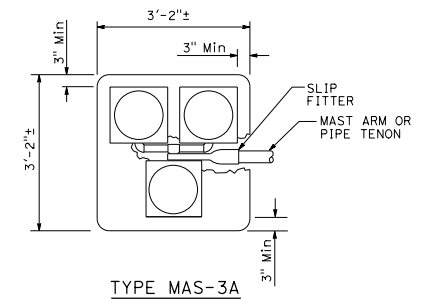
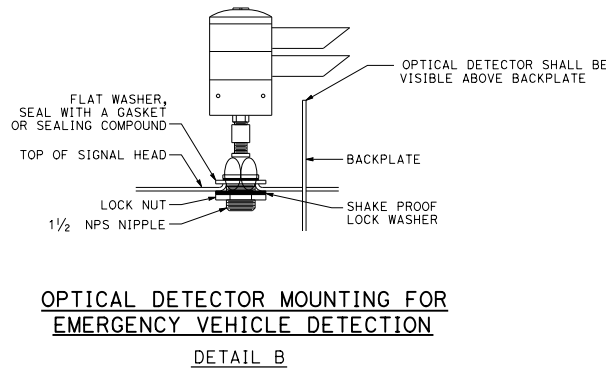
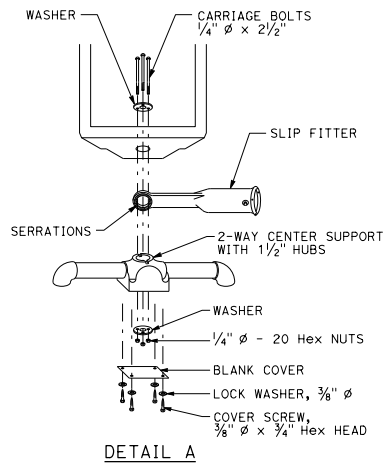


DIST	COUNTY	ROUTE	POST MILES TOTAL PROJECT	SHEET NO.	TOTAL SHEETS
 REGISTERED ELECTRICAL ENGINEER Hamid Zolfaghar No. E15636 April 20, 2018 PLANS APPROVAL DATE Exp. 12-31-19 THE STATE OF CALIFORNIA OR ITS OFFICERS OR AGENTS SHALL NOT BE RESPONSIBLE FOR THE ACCURACY OR COMPLETENESS OF SCANNED COPIES OF THIS PLAN SHEET. REGISTERED PROFESSIONAL ENGINEER STATE OF CALIFORNIA					

TO ACCOMPANY PLANS DATED _____



MAST ARM MOUNTINGS



STATE OF CALIFORNIA
DEPARTMENT OF TRANSPORTATION
**ELECTRICAL SYSTEMS
(SIGNAL HEADS AND
OPTICAL DETECTOR MOUNTING)**

NO SCALE

RSP ES-4E DATED APRIL 20, 2018 SUPERSEDES STANDARD PLAN ES-4E
DATED OCTOBER 30, 2015 - PAGE 444 OF THE STANDARD PLANS BOOK DATED 2015.

REVISED STANDARD PLAN RSP ES-4E

2015 REVISED STANDARD PLAN RSP ES-4E