


DIST	COUNTY	ROUTE	POST MILES TOTAL PROJECT	SHEET No.	TOTAL SHEETS



 Stanley P. Johnson
 REGISTERED CIVIL ENGINEER
 April 20, 2018
 PLANS APPROVAL DATE
 No. C6793
 Exp. 3-31-20
 CIVIL
 THE STATE OF CALIFORNIA OR ITS OFFICERS OR AGENTS SHALL NOT BE RESPONSIBLE FOR THE ACCURACY OR COMPLETENESS OF SCANNED COPIES OF THIS PLAN SHEET.

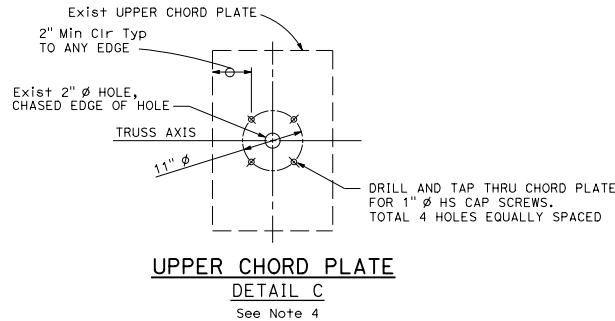
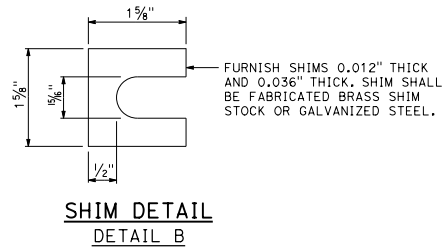
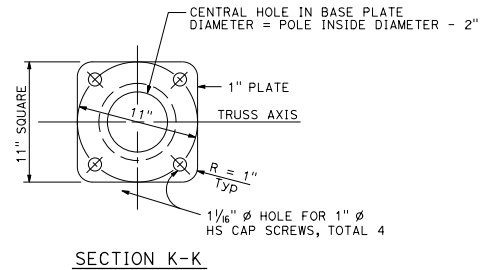
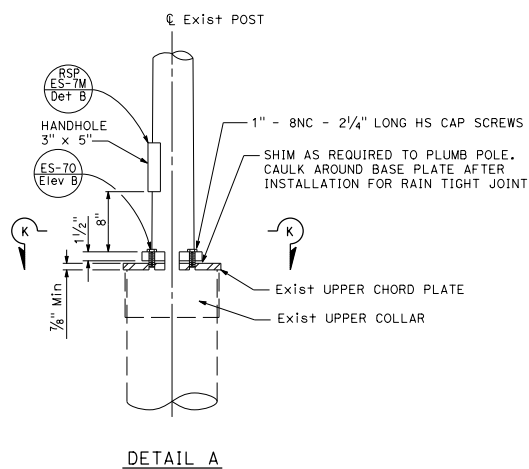
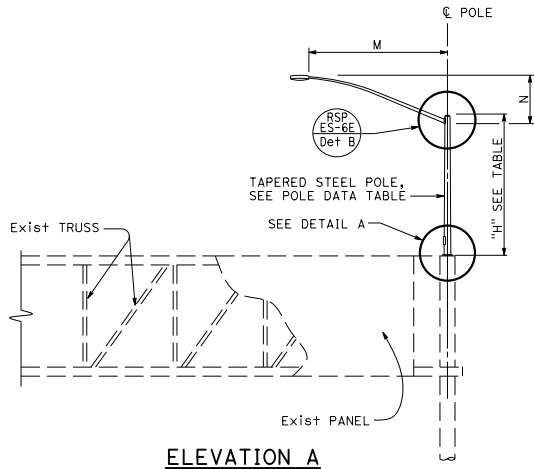
LUMINAIRE MAST ARM DATA			
M PROJECTED LENGTH	N RISE	Min OD AT POLE	NOMINAL THICKNESS
15'-0"	4'-9"±	4 1/2"	0.1196"
20'-0"	2'-6"±	5"	0.1793"

POLE DATA				
POLE EXTENSION TYPE	HEIGHT "H"	Min OD		THICKNESS
		BASE	TOP	
5	5'-0"	6 1/2"	5 1/8"	0.1793"
10	10'-0"	7 1/4"		

TO ACCOMPANY PLANS DATED _____

NOTES:

- The Contractor shall verify all controlling field dimensions before ordering or fabricating any material.
- Bolt hole locations may vary at the discretion of the Engineer.
- For Wind Loading see Revised Standard Plans RSP ES-7M.
- See Std Plan S13.
- Materials (Structural Steel):
 - fy = 55,000 psi tapered steel tube (pole)
 - fy = 50,000 psi unless otherwise noted



STATE OF CALIFORNIA
DEPARTMENT OF TRANSPORTATION
**ELECTRICAL SYSTEMS
(LIGHTING STANDARD,
TYPES 5 AND 10,
OVERHEAD SIGN MOUNTED)**
NO SCALE

RSP ES-6C DATED APRIL 20, 2018 SUPERSEDES RSP ES-6C DATED JULY 15, 2016 AND
STANDARD PLAN ES-6C DATED OCTOBER 30, 2015 - PAGE 451 OF THE STANDARD PLANS BOOK DATED 2015.

REVISED STANDARD PLAN RSP ES-6C

2015 REVISED STANDARD PLAN RSP ES-6C