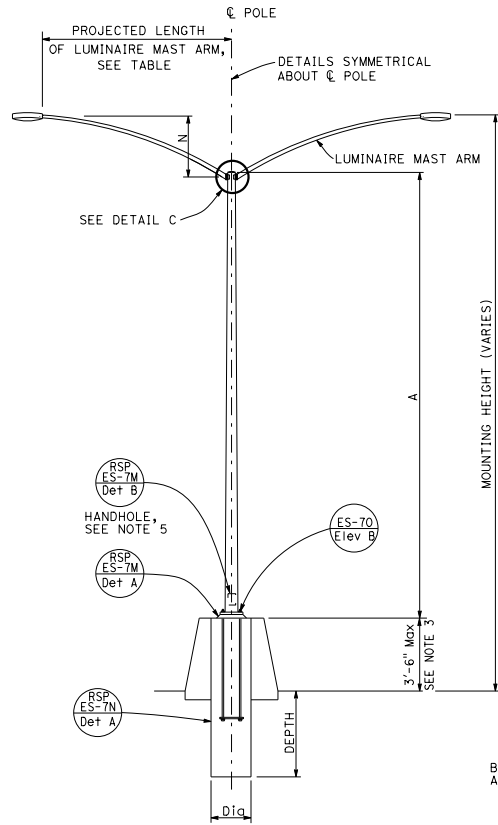


TYPE 15D AND TYPE 21D
ELEVATION A



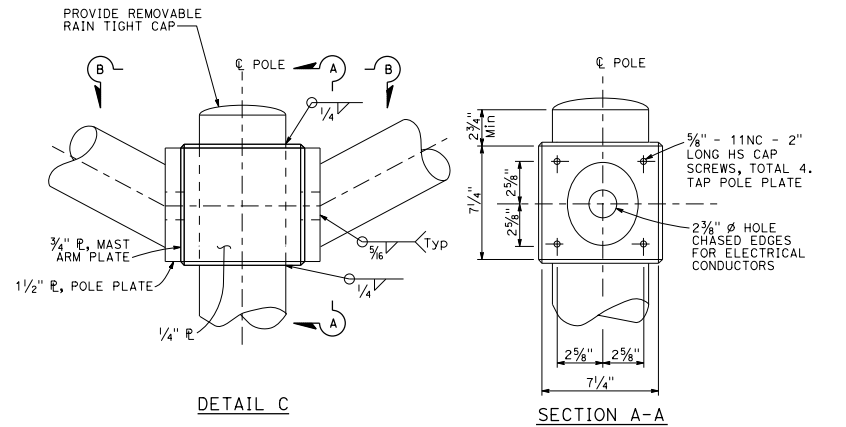
TYPE 15D AND TYPE 21D
MEDIAN BARRIER MOUNTED
ELEVATION B

POLE TYPE	POLE DATA				BASE PLATE DATA			CIDH PILE FOUNDATION	
	A HEIGHT	Min OD	THICKNESS	C	BC = BOLT CIRCLE	THICKNESS	ANCHOR BOLT SIZE	Diq	DEPTH
15D	30'-0"	8"	0.1793"	1'-0"	1'-0"	1 1/2"	1 1/4" ϕ x 42"	2'-6"	7'-0"
21D	35'-0"	8 5/8"	3 1/8"	0.1793"	1'-0"	1 1/2"	1 1/4" ϕ x 42"	2'-6"	7'-0"

LUMINAIRE MAST ARM DATA					
PROJECTED LENGTH	N RISE	Min OD AT POLE	NOMINAL THICKNESS	P	
				TYPE 15D	TYPE 21D
6'-0"	2'-0" \pm	3 1/4"	0.1196"	31'-6" \pm	36'-6" \pm
8'-0"	2'-6" \pm	3 1/2"		32'-0" \pm	37'-0" \pm
10'-0"	3'-3" \pm	3 7/8"		32'-9" \pm	37'-9" \pm
12'-0"	4'-3" \pm			33'-9" \pm	38'-9" \pm

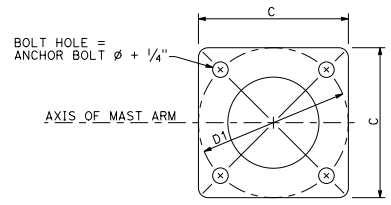
NOTES:

1. Indicates mast arm length to be used unless otherwise noted on the plans.
2. For additional notes and details, see Revised Standard Plans RSP ES-7M and RSP ES-7N.
3. See Concrete Barrier Details Type 60MF and 60MSF.
4. For locations with one arm, plug unused cap screw holes and chased outlet with galvanized cap screws and knockout plug.
5. Handhole shall be located perpendicular to the luminaire mast arm and as directed by the Engineer.



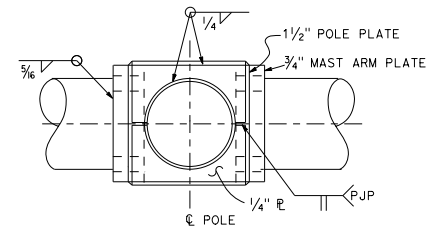
DETAIL C

SECTION A-A



BASE PLATE

DETAIL B



SECTION B-B

STATE OF CALIFORNIA
DEPARTMENT OF TRANSPORTATION

ELECTRICAL SYSTEMS
(LIGHTING STANDARD,
TYPES 15D AND 21D,
DOUBLE LUMINAIRE MAST ARM)

NO SCALE
RSP ES-6D DATED APRIL 20, 2018 SUPERSEDES RSP ES-6D DATED JULY 21, 2017
AND RSP ES-6D DATED JULY 15, 2016 AND STANDARD PLAN ES-6D
DATED OCTOBER 30, 2015 - PAGE 452 OF THE STANDARD PLANS BOOK DATED 2015.

REVISED STANDARD PLAN RSP ES-6D

DIST	COUNTY	ROUTE	POST MILES TOTAL PROJECT	SHEET NO.	TOTAL SHEETS

Stanley P. Johnson
REGISTERED CIVIL ENGINEER
No. C61793
EXPIRES 3-31-20
CIVIL ENGINEER PROFESSIONAL SEAL
STATE OF CALIFORNIA

APPROVAL DATE: April 20, 2018
PLANS APPROVAL DATE: _____
THE STATE OF CALIFORNIA OR ITS OFFICERS OR AGENTS SHALL NOT BE RESPONSIBLE FOR THE ACCURACY OR COMPLETENESS OF SCANNED COPIES OF THIS PLAN SHEET.

TO ACCOMPANY PLANS DATED _____

2015 REVISED STANDARD PLAN RSP ES-6D