

Dist	COUNTY	ROUTE	POST MILES TOTAL PROJECT	SHEET NO.	TOTAL SHEETS

Stanley P. Johnson
REGISTERED CIVIL ENGINEER
No. C61793
Exp. 3-31-20
STATE OF CALIFORNIA
REGISTERED PROFESSIONAL ENGINEER

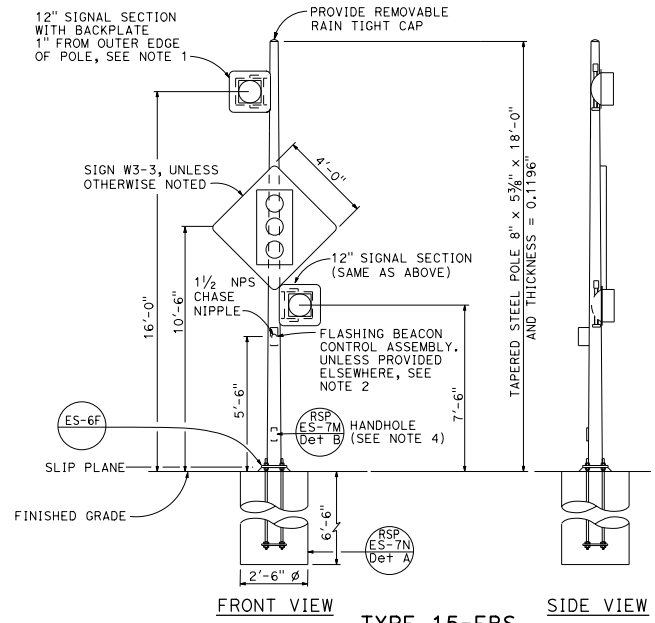
April 20, 2018
PLANS APPROVAL DATE

THE STATE OF CALIFORNIA OR ITS OFFICERS OR AGENTS SHALL NOT BE RESPONSIBLE FOR THE ACCURACY OR COMPLETENESS OF SCANNED COPIES OF THIS PLAN SHEET.

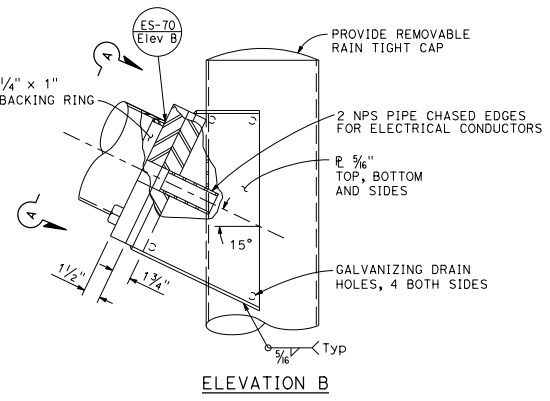
TO ACCOMPANY PLANS DATED _____

NOTES:

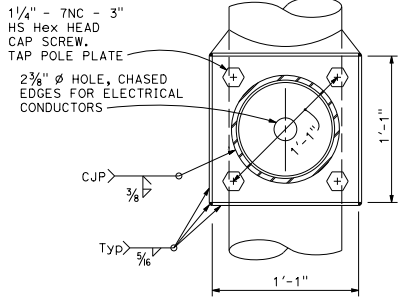
1. See Standard Plans ES-4A and Revised Standard Plan RSP ES-4D for attachment fitting details.
2. For wiring diagram, see Revised Standard Plan RSP ES-14B.
3. For additional notes and details, see Revised Standard Plans RSP ES-7M and RSP ES-7N.
4. Handhole shall be located on the downstream side of traffic.
5. See project plans for type of standard to be installed.



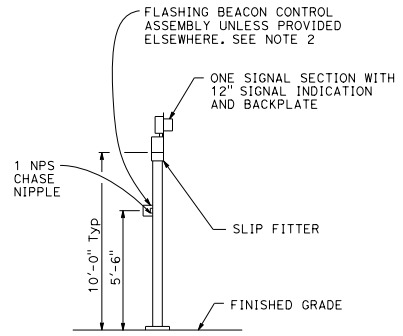
TYPE 15-FBS
FLASHING BEACON WITH SLIP BASE INSTALLATION
DETAIL A



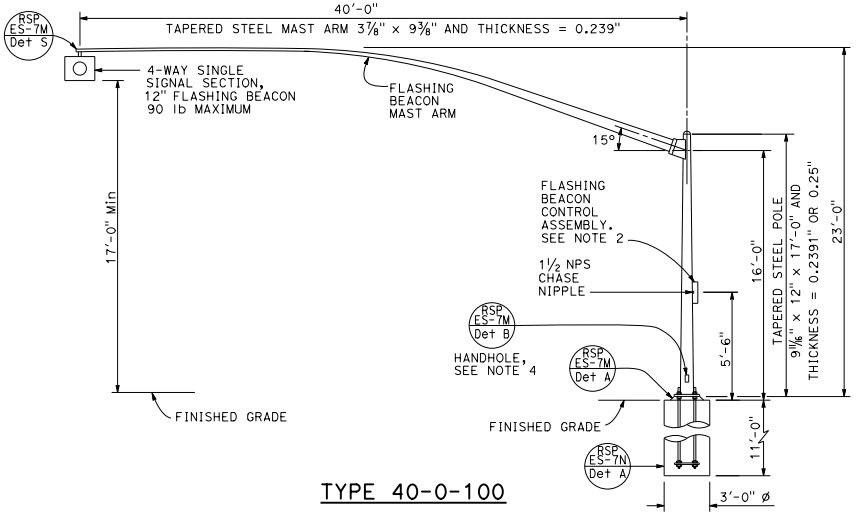
ELEVATION B



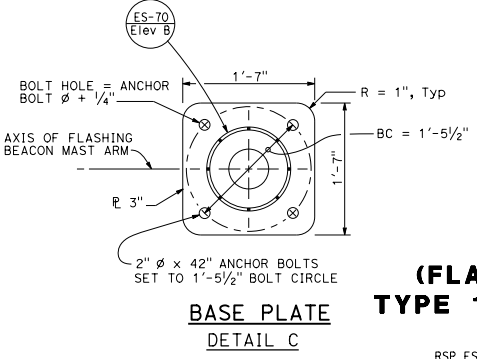
VIEW A-A
FLASHING BEACON MAST ARM
CONNECTION DETAIL
DETAIL B



TYPE 1-A, 1-B, 1-C, AND 1-D
FLASHING BEACON INSTALLATION
DETAIL D
See Note 5



TYPE 40-0-100
ELEVATION A



BASE PLATE
DETAIL C

STATE OF CALIFORNIA
DEPARTMENT OF TRANSPORTATION
ELECTRICAL SYSTEMS
(FLASHING BEACON ON A TYPE 1,
TYPE 15-FBS, AND TYPE 40 STANDARD)
NO SCALE

RSP ES-7J DATED APRIL 20, 2018 SUPERSEDES RSP ES-7J DATED JULY 21, 2017
AND RSP ES-7J DATED JULY 15, 2016 AND RSP ES-7J DATED APRIL 15, 2016 AND
STANDARD PLAN ES-7J DATED OCTOBER 30, 2015 - PAGE 464 OF THE STANDARD PLANS BOOK DATED 2015.

REVISED STANDARD PLAN RSP ES-7J

2015 REVISED STANDARD PLAN RSP ES-7J