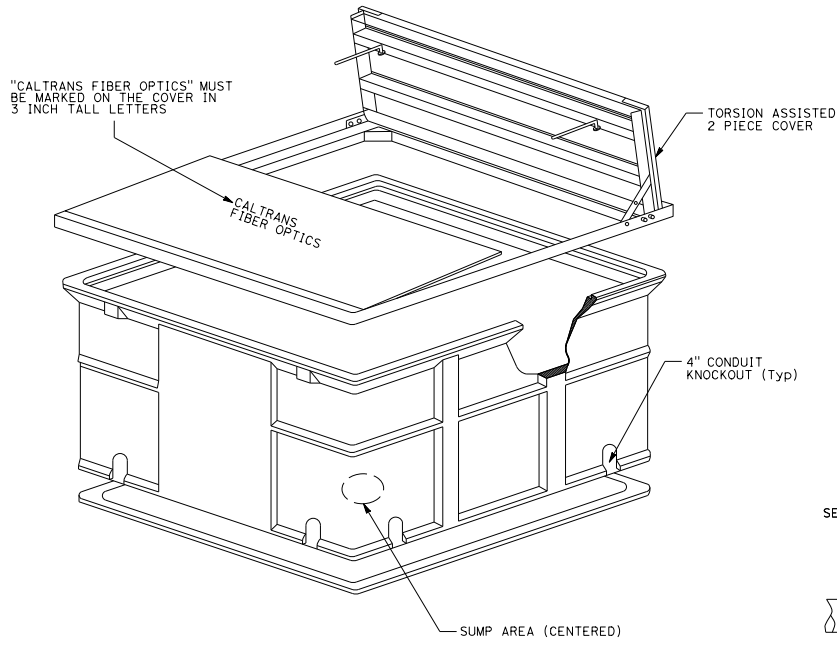


DIST	COUNTY	ROUTE	POST MILES TOTAL PROJECT	SHEET NO.	TOTAL SHEETS

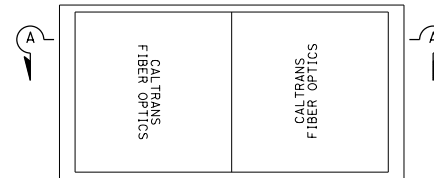
H. R. F.
 REGISTERED ELECTRICAL ENGINEER
 Hamid Zolfaghari
 No. E15636
 Exp. 12-31-19
 PROFESSIONAL ENGINEER
 ELECTRICAL
 STATE OF CALIFORNIA

April 20, 2018
 PLANS APPROVAL DATE
 THE STATE OF CALIFORNIA OR ITS OFFICERS
 OR AGENTS SHALL NOT BE RESPONSIBLE FOR
 THE ACCURACY OR COMPLETENESS OF SCANNED
 COPIES OF THIS PLAN SHEET.

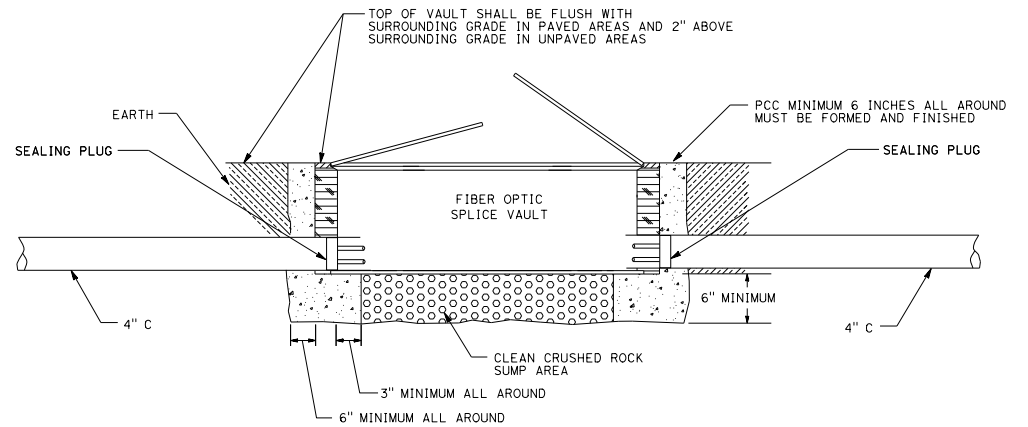
TO ACCOMPANY PLANS DATED _____



SPLICE VAULT-ISOMETRIC VIEW



TOP VIEW



SECTION A-A

STATE OF CALIFORNIA
 DEPARTMENT OF TRANSPORTATION
**ELECTRICAL SYSTEMS
 (SPLICE VAULTS)**
 NO SCALE

RSP ES-8C DATED APRIL 20, 2018 SUPPLEMENTS THE STANDARD PLANS BOOK DATED 2015.

REVISED STANDARD PLAN RSP ES-8C

2015 REVISED STANDARD PLAN RSP ES-8C