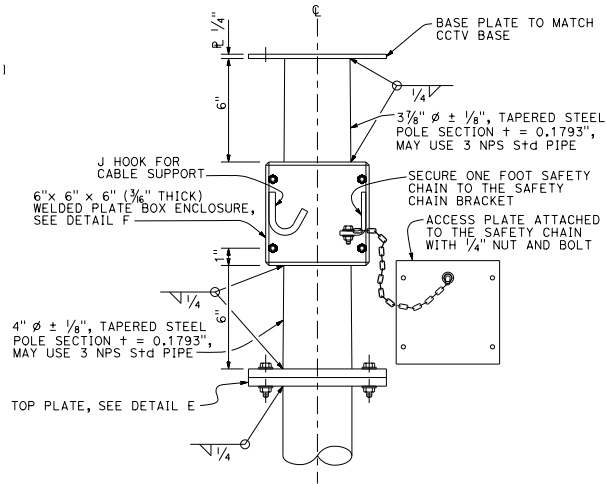
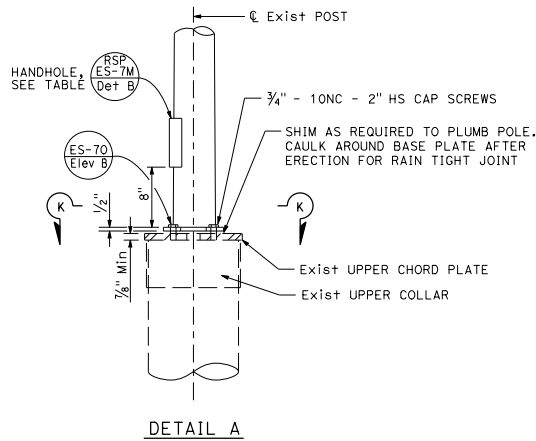
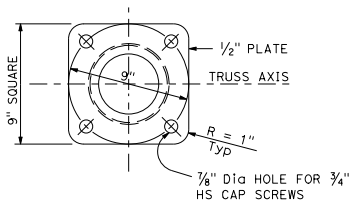
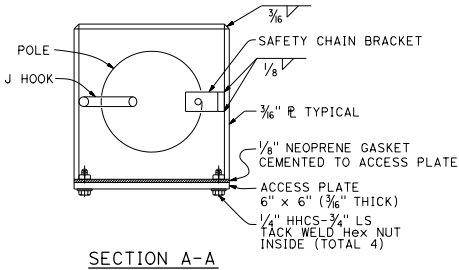
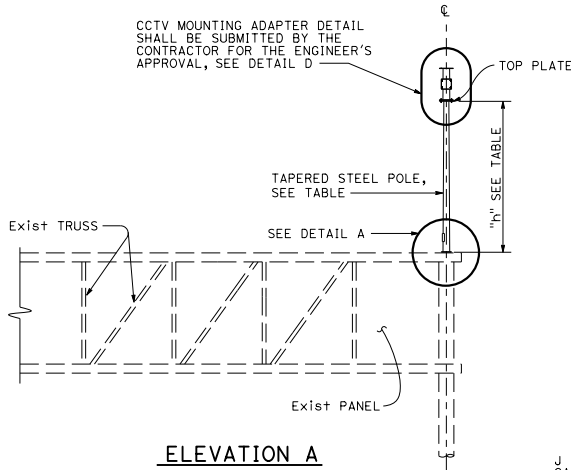


POLE EXTENSION TYPE	POLE DATA				HANDHOLE SIZE
	HEIGHT "h"	Min OD		THICKNESS	
		BASE	TOP		
CCTV 5	5'	4 $\frac{3}{8}$ "	3 $\frac{3}{4}$ "	0.1793"	3" x 5"
CCTV 10	10'	5 $\frac{1}{4}$ "			
CCTV 15	15'	5 $\frac{5}{8}$ "			

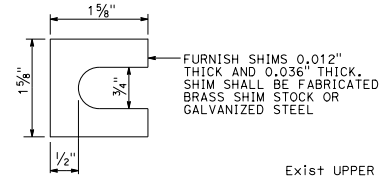
CCTV MOUNTING ADAPTER DETAIL SHALL BE SUBMITTED BY THE CONTRACTOR FOR THE ENGINEER'S APPROVAL, SEE DETAIL D



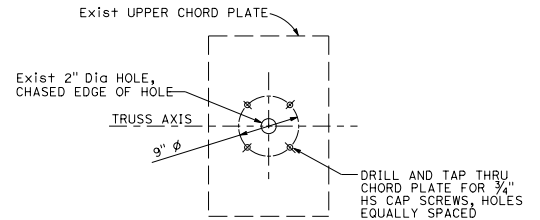
**CLOSED CIRCUIT TELEVISION MOUNTING ADAPTER**  
**DETAIL D**

**NOTES:**

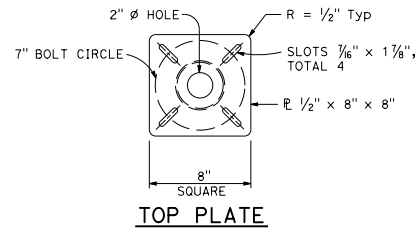
1. Verify controlling field dimensions before ordering or fabricating any material.
2. Bolt hole locations may vary at the discretion of the Engineer.
3. See Std Plan S13.
4. For wind loading see Revised Standard Plan RSP ES-7M.
5. Materials (Structural Steel):
  - a. fy = 55,000 psi (tapered steel tube)
  - b. fy = 50,000 psi (unless otherwise noted)



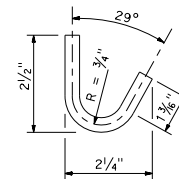
**SHIM**  
**DETAIL B**



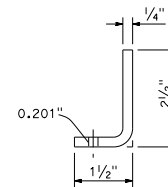
**UPPER CHORD PLATE**  
**DETAIL C**  
See Note 3



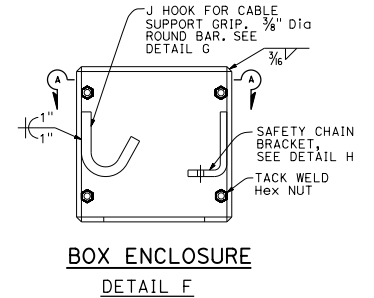
**TOP PLATE**  
**DETAIL E**



**J HOOK**  
**DETAIL G**



**SAFETY CHAIN BRACKET**  
**DETAIL H**



**BOX ENCLOSURE**  
**DETAIL F**

DIST	COUNTY	ROUTE	POST MILES TOTAL PROJECT	SHEET NO.	TOTAL SHEETS

Stanley P. Johnson  
REGISTERED CIVIL ENGINEER  
No. C67395  
Exp. 3-31-20  
CIVIL  
STATE OF CALIFORNIA

April 20, 2018  
PLANS APPROVAL DATE  
THE STATE OF CALIFORNIA OR ITS OFFICERS OR AGENTS SHALL NOT BE RESPONSIBLE FOR THE ACCURACY OR COMPLETENESS OF SCANNED COPIES OF THIS PLAN SHEET.

TO ACCOMPANY PLANS DATED \_\_\_\_\_

STATE OF CALIFORNIA  
DEPARTMENT OF TRANSPORTATION

**ELECTRICAL SYSTEMS**  
**(CLOSED CIRCUIT TELEVISION,**  
**5' TO 15' OVERHEAD SIGN MOUNTED POLE)**

NO SCALE

RSP ES-16A DATED APRIL 20, 2018 SUPERSEDES RSP ES-16A DATED JULY 15, 2016 AND STANDARD PLAN ES-16A DATED OCTOBER 30, 2015 - PAGE 493 OF THE STANDARD PLANS BOOK DATED 2015.

**REVISED STANDARD PLAN RSP ES-16A**

2015 REVISED STANDARD PLAN RSP ES-16A