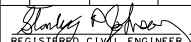


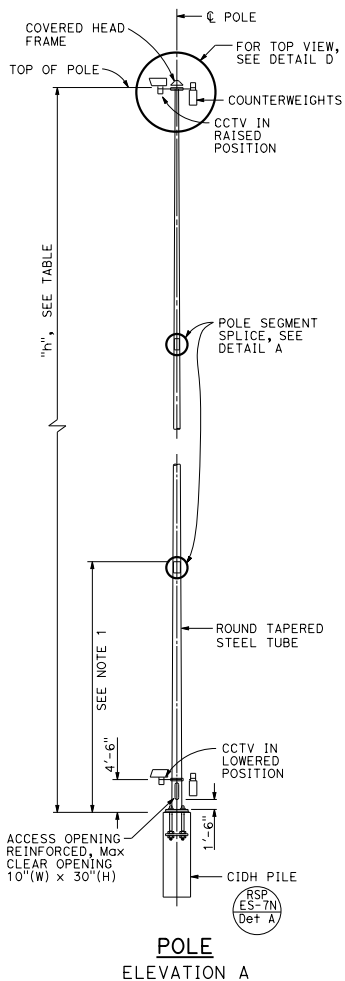
POLE TYPE	POLE DATA					BASE PLATE DATA				CIDH PILE DATA		
	HEIGHT "h"	Min OD		THICKNESS BOTTOM SEGMENT (Min 25" LONG)	Min THICKNESS UPPER SEGMENT(S)	Dia	THICKNESS	ANCHOR BOLT SIZE		BC = BOLT CIRCLE	"O"	"L"
		BASE	TOP					TOTAL	"d"			
HM CCTV 50	50'	18"	10 7/8"	0.3125"	0.1875"	25"	2"	12	2 1/4"	20"	3'-6"	13'-0"
HM CCTV 60	60'		9 1/2"									
HM CCTV 70	70'	22"	12"	0.375"	0.25"	30"	3"	3"	25"	4'-0"	14'-0"	
HM CCTV 80	80'	22"	11 5/8"			33"						
HM CCTV 90	90'	25"	17 1/8"			42"			37"	6'-0"	15'-0"	

D16+	COUNTY	ROUTE	POST MILES TOTAL PROJECT	SHEET No.	TOTAL SHEETS

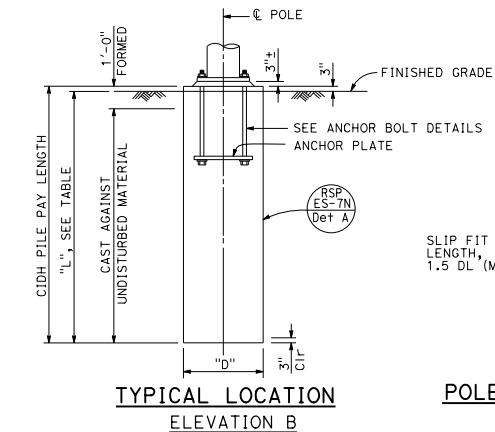

 REGISTERED CIVIL ENGINEER
 No. 05793
 Exp. 3-31-20
 CIVIL
 STATE OF CALIFORNIA

April 20, 2018
 PLANS APPROVAL DATE
 THE STATE OF CALIFORNIA OR ITS OFFICERS
 OR AGENTS SHALL NOT BE RESPONSIBLE FOR
 THE ACCURACY OR COMPLETENESS OF SCANNED
 COPIES OF THIS PLAN SHEET.

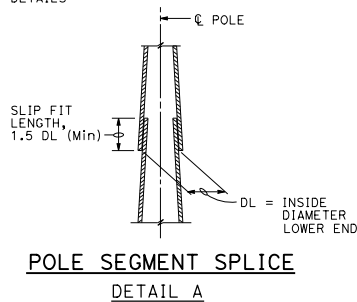
TO ACCOMPANY PLANS DATED _____



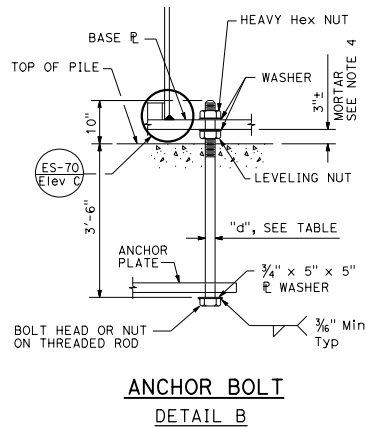
POLE
ELEVATION A



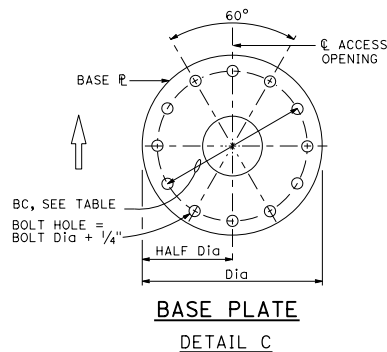
TYPICAL LOCATION
ELEVATION B



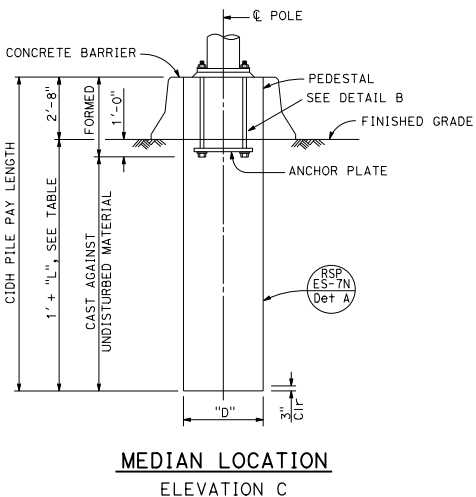
POLE SEGMENT SPLICE
DETAIL A



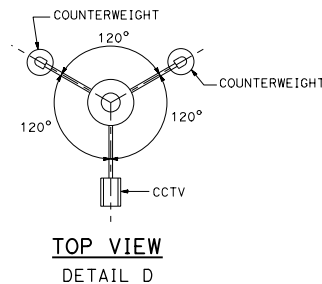
ANCHOR BOLT
DETAIL B



BASE PLATE
DETAIL C



MEDIAN LOCATION
ELEVATION C



TOP VIEW
DETAIL D

NOTES:

1. Pole details shall suit the lowering device and this foundation plan. Pole details shall be submitted to the Engineer for approval.
2. For closed circuit television details, see Electrical Plans.
3. Foundation design is based on a 3-second wind gust of 100 mph.
4. For central void and drain holes in mortar, see Revised Standard Plan RSP ES-6B detail N.
5. For wind loading see Revised Standard Plan RSP ES-7M.
6. Materials (Structural Steel):
fy = 55,000 psi (tapered steel tube)
fy = 50,000 psi (unless otherwise noted)
7. Access opening shall be located on the downstream side of traffic unless otherwise determined by the Engineer.

STATE OF CALIFORNIA
DEPARTMENT OF TRANSPORTATION

**ELECTRICAL SYSTEMS
(CLOSED CIRCUIT TELEVISION,
50' TO 90' HIGH MAST POLE)**

NO SCALE

RSP ES-16C DATED APRIL 20, 2018 SUPERSEDES RSP ES-16C DATED JULY 15, 2016 AND
STANDARD PLAN ES-16C DATED OCTOBER 30, 2015 - PAGE 495 OF THE STANDARD PLANS BOOK DATED 2015.

REVISED STANDARD PLAN RSP ES-16C

2015 REVISED STANDARD PLAN RSP ES-16C