

DIST	COUNTY	ROUTE	POST MILES TOTAL PROJECT	SHEET NO.	TOTAL SHEETS

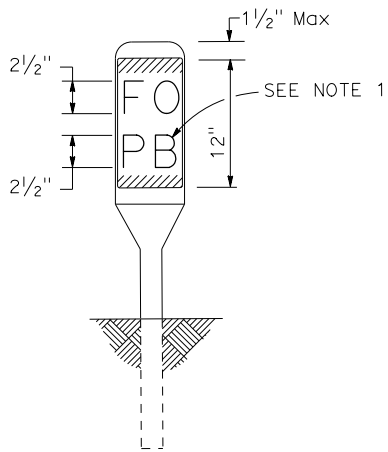
H. R. Z.
 REGISTERED ELECTRICAL ENGINEER
 Hamid Zolfaghari
 No. E15636
 Exp. 12-31-19
 ELECTRICAL ENGINEER
 STATE OF CALIFORNIA

April 20, 2018
 PLANS APPROVAL DATE
 THE STATE OF CALIFORNIA OR ITS OFFICERS
 OR AGENTS SHALL NOT BE RESPONSIBLE FOR
 THE ACCURACY OR COMPLETENESS OF SCANNED
 COPIES OF THIS PLAN SHEET.

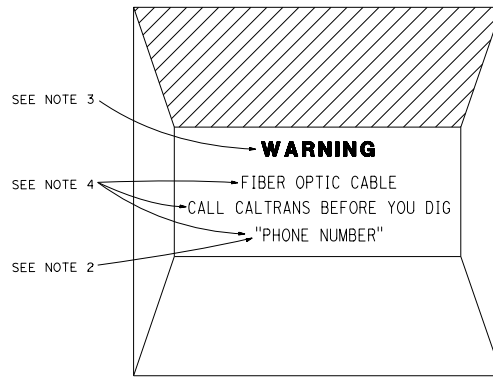
NOTES:

1. "PB" for Pull Box or "VT" for Vault.
2. Phone number as specified.
3. 3/8" black text.
4. 1/4" black text.
5. 1" black text.
6. 1/2" black text

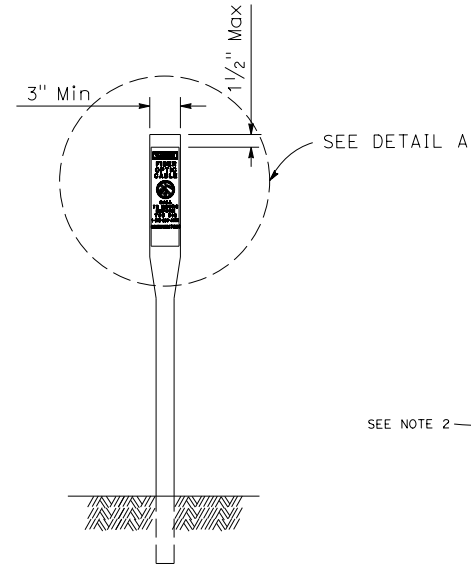
TO ACCOMPANY PLANS DATED _____



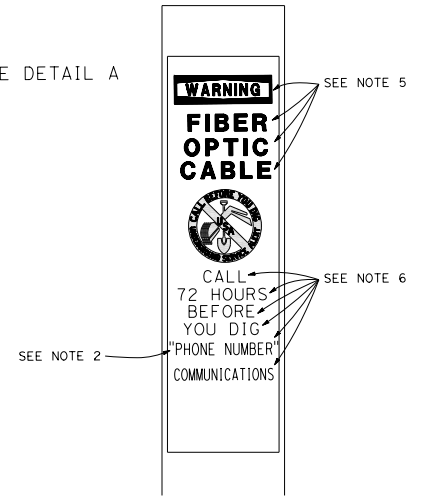
FIBER OPTIC MARKER
FOR VAULTS AND PULL BOXES



FIBER OPTIC MARKER
FOR PAVED AREAS



FIBER OPTIC MARKER
FOR UNPAVED AREAS



DETAIL A

STATE OF CALIFORNIA
 DEPARTMENT OF TRANSPORTATION
**ELECTRICAL SYSTEMS
 (FIBER OPTIC MARKER DETAILS)**
 NO SCALE

RSP ES-17A DATED APRIL 20, 2018 SUPPLEMENTS THE STANDARD PLANS BOOK DATED 2015.

REVISED STANDARD PLAN RSP ES-17A

2015 REVISED STANDARD PLAN RSP ES-17A