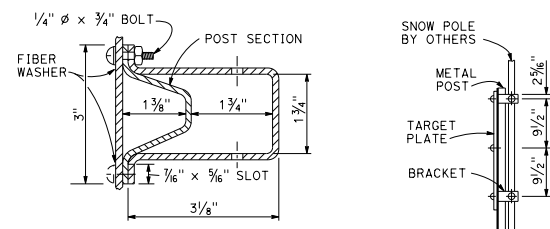
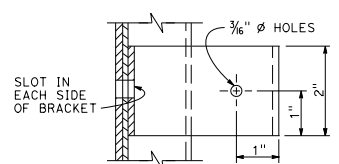


Dist	COUNTY	ROUTE	POST MILES TOTAL PROJECT	SHEET NO.	TOTAL SHEETS

REGISTERED CIVIL ENGINEER  
 Arshad Jabal  
 No. C62831  
 October 19, 2018  
 PLANS APPROVAL DATE  
 THE STATE OF CALIFORNIA OR ITS OFFICERS OR AGENTS SHALL NOT BE RESPONSIBLE FOR THE ACCURACY OR COMPLETENESS OF SCANNED COPIES OF THIS PLAN SHEET.



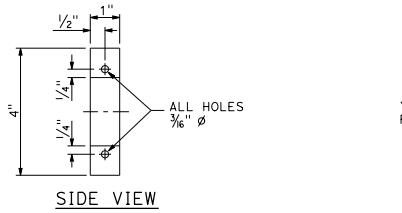
TOP VIEW



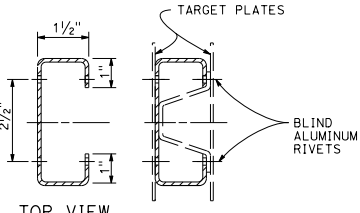
SIDE VIEW

Bracket to be 1/8" x 2" mild steel galvanized after fabrication

SNOW POLE BRACKET



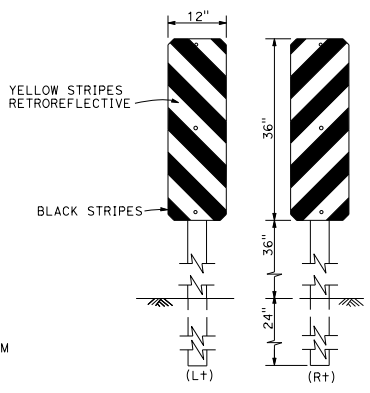
SIDE VIEW



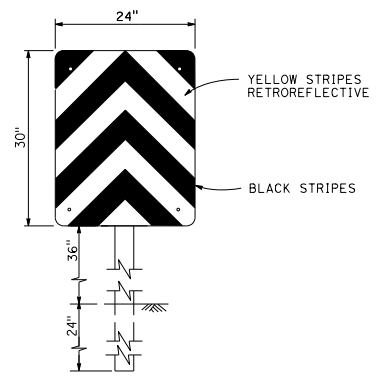
TOP VIEW

Material: Aluminum 0.050" thick (3003-H14 Alloy)

TWO PLATE POST MOUNT



TYPE P (CA)

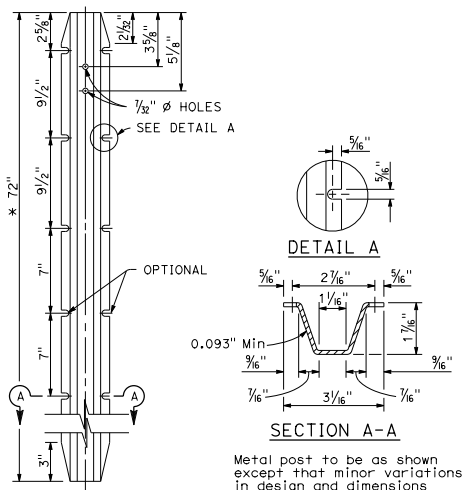


TYPE R (CA)

TYPE N-1 (CA), N-2 (CA), N-3 (CA)

N-1(CA). Yellow retroreflective.  
N-2(CA). Red retroreflective.  
N-3(CA). Orange retroreflective.

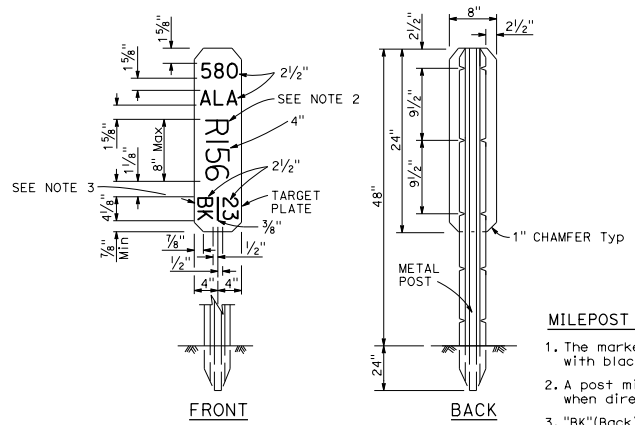
OBJECT MARKERS



Metal post to be as shown except that minor variations in design and dimensions will be permitted to meet manufacturer's standards.

\* 8'-0" for Type P object marker

METAL POST DETAIL



FRONT

BACK

MILEPOST MARKER NOTES:

- The marker shall be white (non-reflective) target plate with black Series D numerals and letters.
- A post mile prefix, such as "R", shall apply only when directed by the Engineer.
- "BK"(Back), "AH" (Ahead), or a blank space shall apply as directed by the Engineer.
- All information shall be in U.S. Customary units (miles).

MILEPOST MARKER

STATE OF CALIFORNIA  
DEPARTMENT OF TRANSPORTATION

**MARKERS**

NO SCALE

RSP A73B DATED OCTOBER 19, 2018 SUPERSEDES STANDARD PLAN A73B DATED MAY 31, 2018 - PAGE 39 OF THE STANDARD PLANS BOOK DATED 2018.

**REVISED STANDARD PLAN RSP A73B**

2018 REVISED STANDARD PLAN RSP A73B