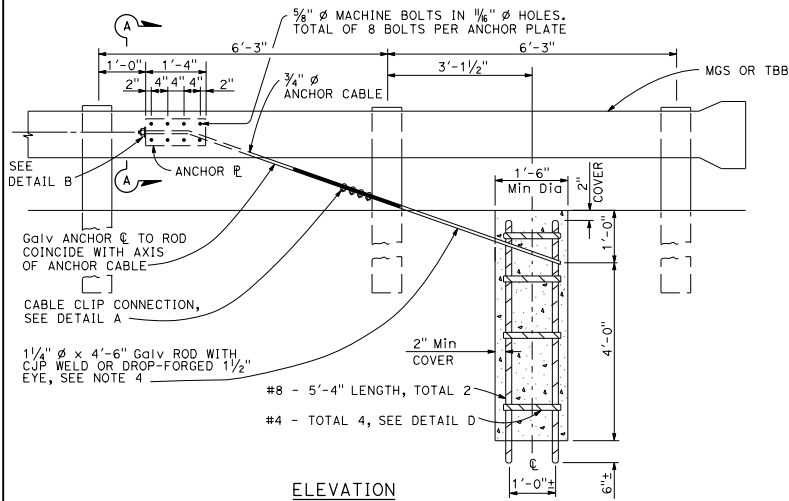
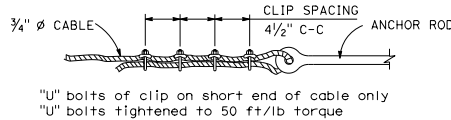


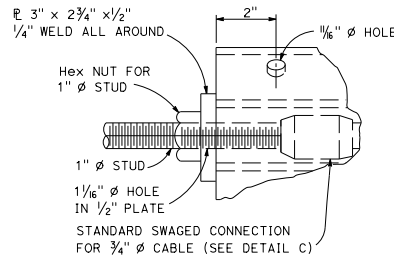
RETURN CAP (TYPE TA) FOR DOUBLE THRIE BEAM OR RETURN CAP (TYPE A) FOR DOUBLE MGS.
END CAP (TYPE A) FOR SINGLE MGS OR END CAP (TYPE TC) FOR SINGLE THRIE BEAM



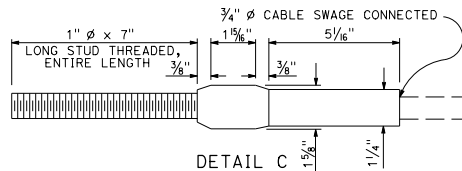
(Wood post, MGS shown, details similar for Thrie Beam Barrier.)



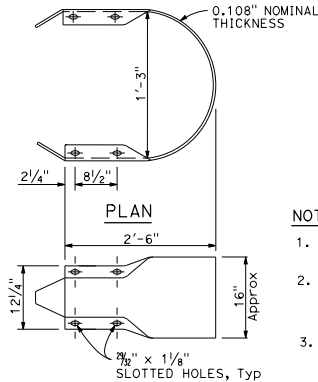
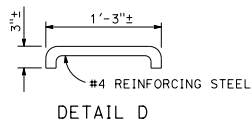
"U" bolts of clip on short end of cable only
"U" bolts tightened to 50 ft/lb torque



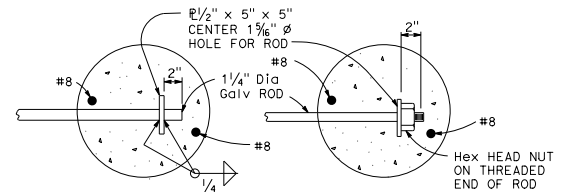
STANDARD SWAGED CONNECTION FOR 3/4" CABLE (SEE DETAIL C)



ANCHOR CABLE WITH SWAGED FITTING AND STUD



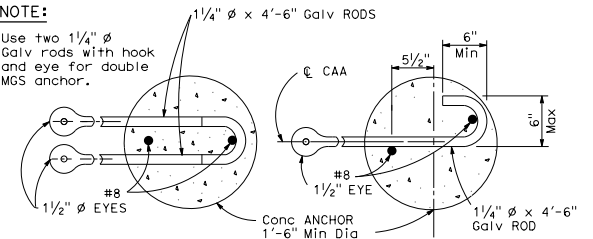
0.108" NOMINAL THICKNESS



(Not to be used for double anchors)

NOTE:

Use two 1/4" Galv rods with hook and eye for double MGS anchor.



DOUBLE ANCHOR ANCHOR RODS **SINGLE ANCHOR ANCHOR RODS**

STATE OF CALIFORNIA
DEPARTMENT OF TRANSPORTATION

METAL RAILING END ANCHOR ASSEMBLY (TYPE CA)
NO SCALE

RSP A77T1 DATED OCTOBER 19, 2018 SUPERSEDES STANDARD PLAN A77T1
DATED MAY 31, 2018 - PAGE 102 OF THE STANDARD PLANS BOOK DATED 2018.

REVISED STANDARD PLAN RSP A77T1

DIST	COUNTY	ROUTE	POST MILES TOTAL PROJECT	SHEET NO.	TOTAL SHEETS

Randell D. Hiatt
REGISTERED CIVIL ENGINEER

October 19, 2018
PLANS APPROVAL DATE

THE STATE OF CALIFORNIA OR ITS OFFICERS OR AGENTS SHALL NOT BE RESPONSIBLE FOR THE ACCURACY OR COMPLETENESS OF SCANNED COPIES OF THIS PLAN SHEET.

REGISTERED PROFESSIONAL ENGINEER
Randell D. Hiatt
No. C60200
Exp. 6-30-19
CIVIL
STATE OF CALIFORNIA

TO ACCOMPANY PLANS DATED _____

NOTES:

- For typical use of this type of end anchor, see Standard Plan A78E2.
- Anchor cable to be parallel to railing for straight runs of rail. Anchor cable may have angle point at anchor plate if railing is curved.
- Anchor rod hooks to be in contact with anchor reinforcement when concrete is placed. Wire ties may be used to position anchor rods.
- Single sided railing installations require only one anchor plate, anchor rod and anchor cable. Single sided railing will not have a rail element or blockouts on backside of line posts as shown in the plan view.

2018 REVISED STANDARD PLAN RSP A77T1