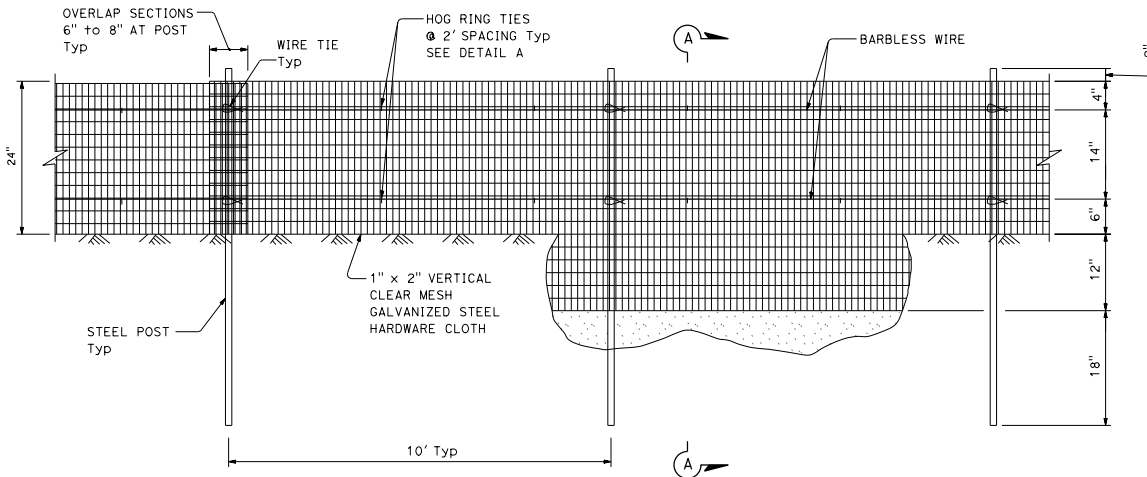


DIST	COUNTY	ROUTE	POST MILES TOTAL PROJECT	SHEET No.	TOTAL SHEETS

P. Valizadeh
REGISTERED CIVIL ENGINEER
No. C51902
Exp. 6-30-20
M. Reza Valizadeh
REGISTERED PROFESSIONAL ENGINEER
CIVIL
STATE OF CALIFORNIA

October 19, 2018
PLANS APPROVAL DATE
THE STATE OF CALIFORNIA OR ITS OFFICERS OR AGENTS SHALL NOT BE RESPONSIBLE FOR THE ACCURACY OR COMPLETENESS OF SCANNED COPIES OF THIS PLAN SHEET.



FRONT VIEW

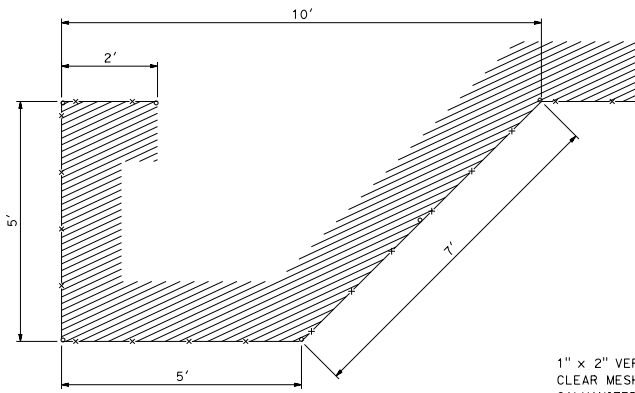
LEGEND:

Desert Tortoise Habitat

NOTE:

- Exact locations for desert tortoise fence are shown on the plans.

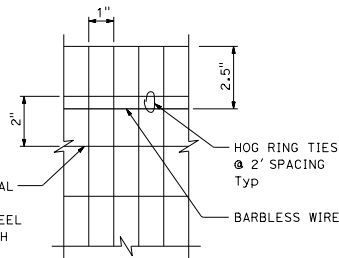
TO ACCOMPANY PLANS DATED _____



REDIRECTIONAL CONFIGURATION PLAN VIEW

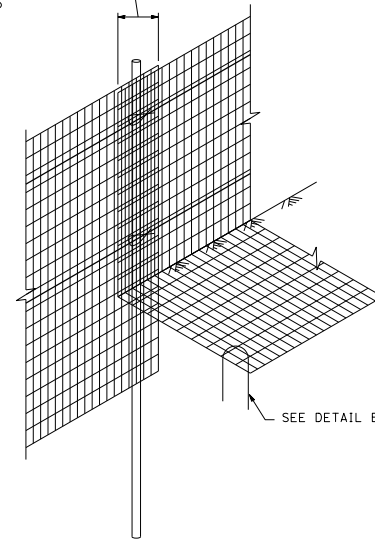
U-SHAPED HOLD DOWN PINS
6" LONG (24" Max SPACING)

DETAIL B

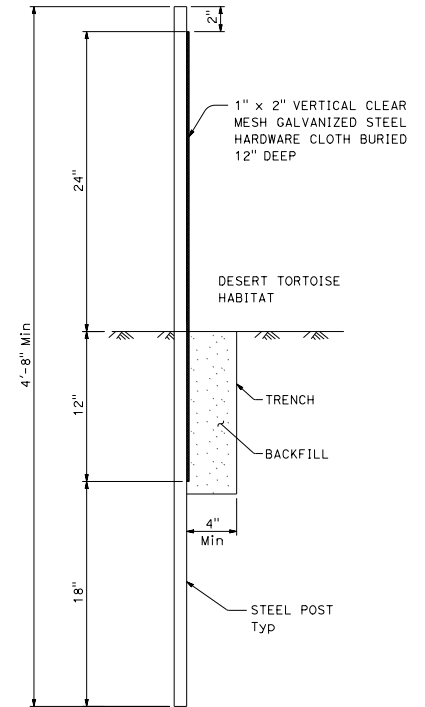


DETAIL A

OVERLAP SECTIONS
6" to 8" AT POST
Typ



**FENCE TRANSITION FOR
BEDROCK OR CALICHE SUBSTRATE**



SECTION A-A

STATE OF CALIFORNIA
DEPARTMENT OF TRANSPORTATION
DESERT TORTOISE FENCE
NO SCALE

RSP A84B DATED OCTOBER 19, 2018 SUPERSEDES STANDARD PLAN A84B
DATED MAY 31, 2018 - PAGE 139 OF THE STANDARD PLANS BOOK DATED 2018.

REVISED STANDARD PLAN RSP A84B