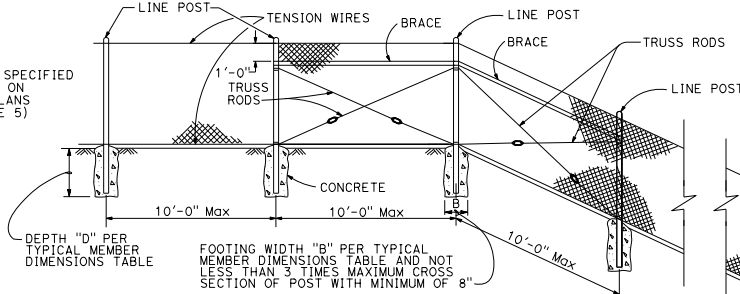
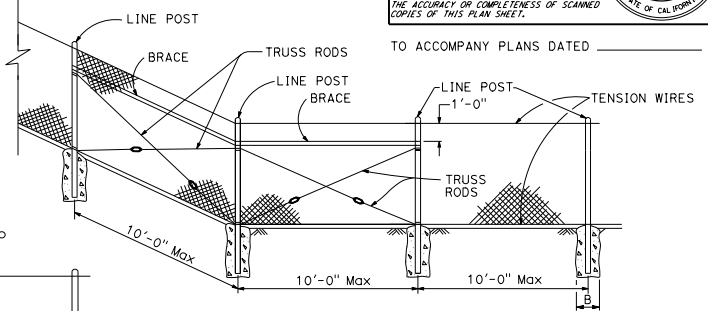


FENCE LOCATION



CHAIN LINK FENCE ON SHARP BREAK IN GRADE



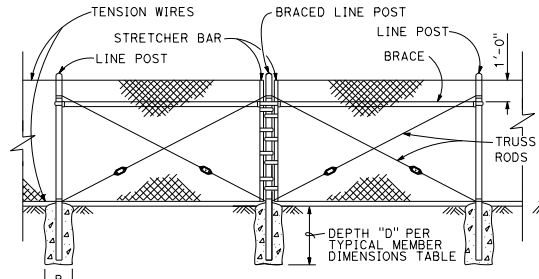
D16+	COUNTY	ROUTE	POST MILES TOTAL PROJECT	SHEET TOTAL No.	TOTAL SHEETS
------	--------	-------	--------------------------	-----------------	--------------

P. Valizadeh
REGISTERED CIVIL ENGINEER

October 19, 2018
PLANS APPROVAL DATE

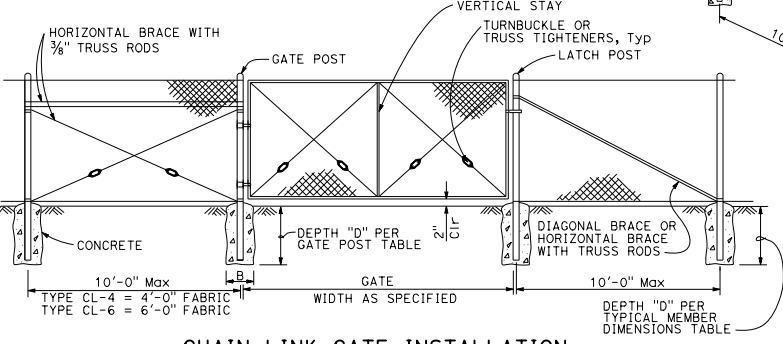
M. Reza Valizadeh
No. CS1902
Exp. 6-30-20
CIVIL

THE STATE OF CALIFORNIA OR ITS OFFICERS OR AGENTS SHALL NOT BE RESPONSIBLE FOR THE ACCURACY OR COMPLETENESS OF SCANNED COPIES OF THIS PLAN SHEET.



BRACED LINE POST INSTALLATION

Braced line post at intervals not exceeding 1000'

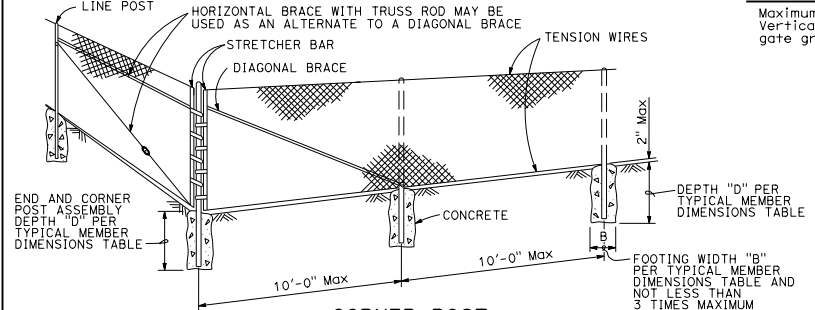


CHAIN LINK GATE INSTALLATION

Maximum Gate Width is 12'-0"
Vertical Stay is required in middle of gate greater than 8'-0" in width.

FENCE HEIGHT (Max)	SLATTED	B (in)	D (ft)	ROUND PIPE		
				ROUND OD PIPE	GROUP 1A WEIGHT (lb/ft)	GROUP 1C WEIGHT (lb/ft)
				5'-0"	NO	12"
6'-0"	NO	12"	2'-6"	3.50"	7.58	5.71
8'-0"	NO	12"	3'-0"	3.50"	7.58	5.71
10'-0"	NO	14"	3'-6"	3.50"	7.58	5.71
5'-0"	YES	12"	3'-0"	4.00"	9.12	6.56
6'-0"	YES	14"	3'-6"	4.50"	10.80	-
8'-0"	YES	18"	3'-6"	5.56"	14.60	-
10'-0"	YES	20"	4'-0"	6.63"	19.00	-

Above post dimensions and weights are minimums. Larger sizes may be used upon approval.



CORNER POST

NOTES:

- The table to the right shows minimum sized posts and braces complying with the specifications. Larger or heavier post and brace sizes may be used upon approval.
- Sections shown in the tables must also comply with the strength requirements and other provisions of the Specifications.
- Other sections which comply with the strength requirements and other provisions of the Specifications may be used upon approval.
- Options exercised shall be uniform on any one project.
- Offset to be 2'-0" at monument locations, measured at right angles to R/W lines. Taper to achieve offset to be at least 20'-0" long.
- See Standard Plan A85B for Brace, Stretcher Bar, and Truss Tightener Details.

FENCE HEIGHT (Max)	SLATTED	B (in)	D (ft)	TYPICAL MEMBER DIMENSIONS (See Notes)									
				LINE POSTS						BRACES			
				ROUND OD PIPE	GROUP 1A WEIGHT (lb/ft)	GROUP 1C WEIGHT (lb/ft)	SECTION	WEIGHT (lb/ft)	ROUND OD PIPE	GROUP 1A WEIGHT (lb/ft)	GROUP 1C WEIGHT (lb/ft)	SECTION	WEIGHT (lb/ft)
				5'-0"	NO	8"	2'-6"	1.90"	2.72	2.28	1.875" x 1.625"	1.85	1.90"
6'-0"	NO	10"	2'-6"	2.38"	3.66	3.12	1.875" x 1.625"	2.40	2.38"	3.66	3.12	1.625" x 1.250"	1.35
8'-0"	NO	12"	3'-0"	2.88"	5.80	4.64	3,250" x 2,500"	4.50	2,38"	3.66	3.12	1.625" x 1,250"	1.35
10'-0"	NO	14"	3'-6"	3.50"	7.58	5.71	3,250" x 2,500"	4.50	2,88"	5.80	4.64	1.625" x 1,250"	1.35
5'-0"	YES	12"	3'-0"	4.00"	9.12	6.56	N/A	-	2,38"	3.66	3.12	N/A	-
6'-0"	YES	14"	3'-0"	4.50"	10.80	-	N/A	-	2,38"	3.66	3.12	N/A	-
8'-0"	YES	18"	3'-6"	5.56"	14.60	-	N/A	-	2,38"	3.66	3.12	N/A	-
10'-0"	YES	20"	4'-0"	6.63"	19.00	-	N/A	-	2,88"	5.80	4.64	N/A	-

STATE OF CALIFORNIA
DEPARTMENT OF TRANSPORTATION
CHAIN LINK FENCE
NO SCALE

RSP A85 DATED OCTOBER 19, 2018 SUPERSEDES STANDARD PLAN A85
DATED MAY 31, 2018 - PAGE 140 OF THE STANDARD PLANS BOOK DATED 2018.
REVISED STANDARD PLAN RSP A85

2018 REVISED STANDARD PLAN RSP A85