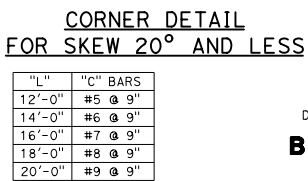
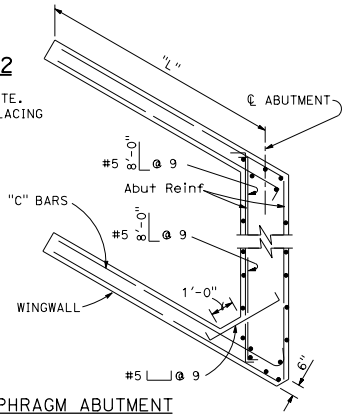
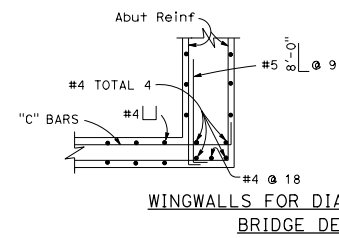
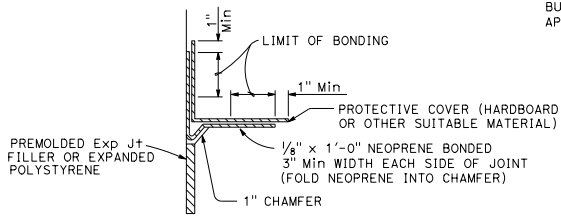
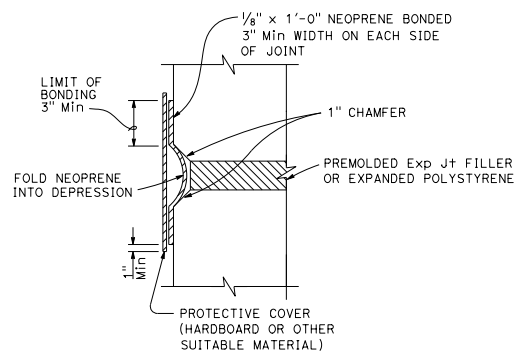
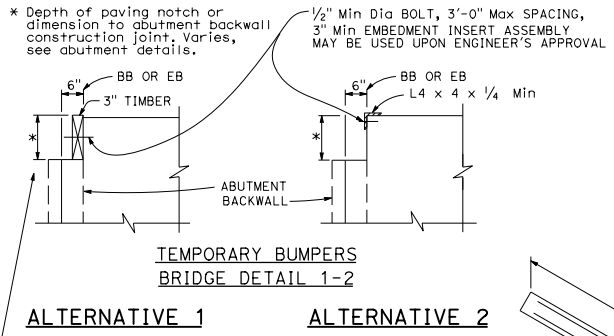
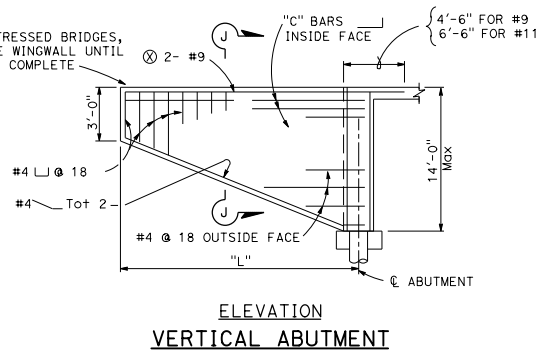
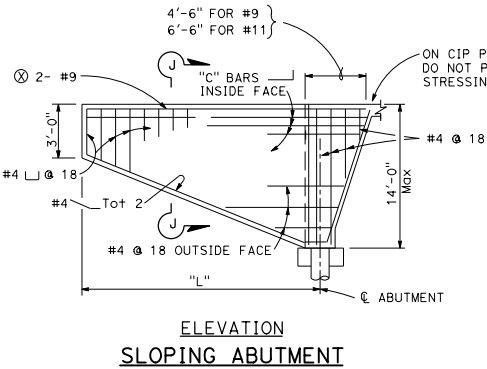
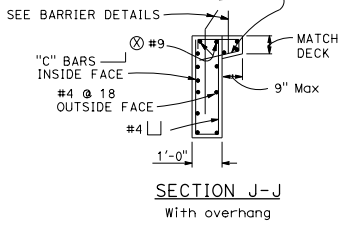
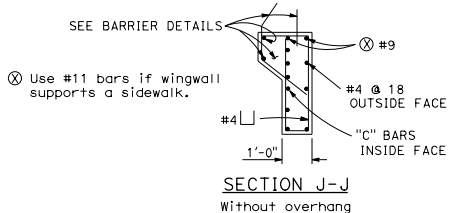


BRIDGE DESIGNATIONS AND ABBREVIATIONS

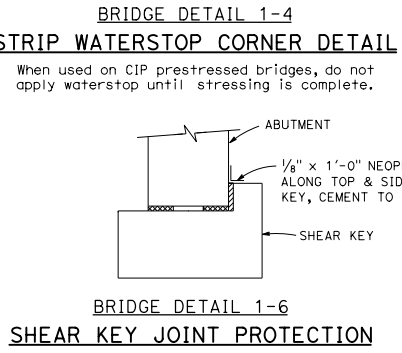
See Standard Plans A3A, A3B, and A3C for additional or standard abbreviations

- J Outer, outer left bridge
- K Outer left bridge
- S Outer right bridge
- T Outer, outer right bridge
- RWLOL Retaining Wall Layout Line
- WWLOL Wingwall Layout Line



"L"	"C" BARS
12'-0"	#5 @ 9"
14'-0"	#6 @ 9"
16'-0"	#7 @ 9"
18'-0"	#8 @ 9"
20'-0"	#9 @ 9"

STATE OF CALIFORNIA
DEPARTMENT OF TRANSPORTATION
BRIDGE DETAILS
NO SCALE



RSP D83B DATED OCTOBER 19, 2018 SUPERSEDES STANDARD PLAN D83B
DATED MAY 31, 2018 - PAGE 318 OF THE STANDARD PLANS BOOK DATED 2018.

REVISED STANDARD PLAN RSP B0-1

DIST	COUNTY	ROUTE	POST MILES TOTAL PROJECT	SHEET NO.	TOTAL SHEETS

Peter W. Norbo
REGISTERED CIVIL ENGINEER
No. C57519
October 19, 2018
PLANS APPROVAL DATE

THE STATE OF CALIFORNIA OR ITS OFFICERS OR AGENTS SHALL NOT BE RESPONSIBLE FOR THE ACCURACY OR COMPLETENESS OF SCANNED COPIES OF THIS PLAN SHEET.

TO ACCOMPANY PLANS DATED _____

2018 REVISED STANDARD PLAN RSP B0-1