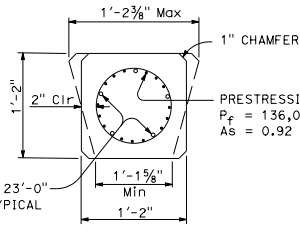
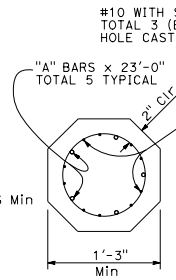


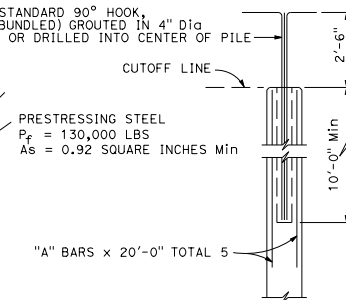
SECTION W-W
PP = Steel pipe pile



SECTION X-X



SECTION Y-Y



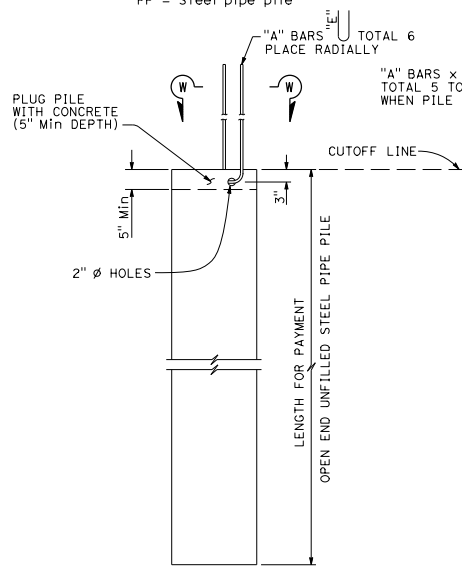
**ALTERNATIVE PILE ANCHOR
FOR PRESTRESSED PILE**

DIST	COUNTY	ROUTE	POST MILES TOTAL PROJECT	SHEET NO.	TOTAL SHEETS

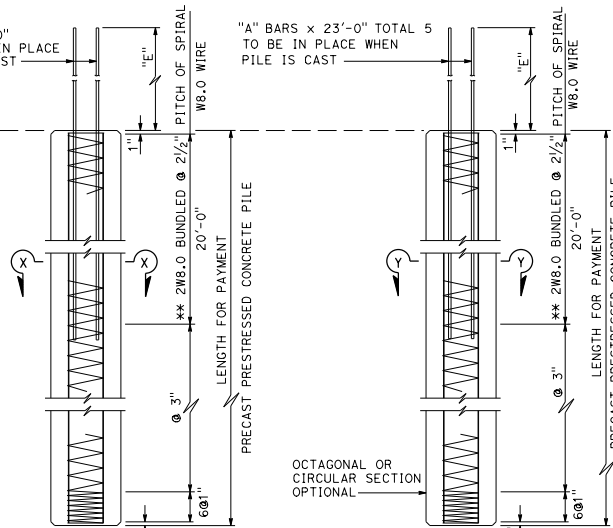
Amir M. Malek
 REGISTERED CIVIL ENGINEER
 No. C62397
 Exp. 9-30-19
 CIVIL
 STATE OF CALIFORNIA

October 19, 2018
 PLANS APPROVAL DATE
 THE STATE OF CALIFORNIA OR ITS OFFICERS
 OR AGENTS SHALL NOT BE RESPONSIBLE FOR
 THE ACCURACY OR COMPLETENESS OF SCANNED
 COPIES OF THIS PLAN SHEET.

TO ACCOMPANY PLANS DATED _____



ALTERNATIVE "W"



** W11.0 @ 1 1/4" may be substituted

ALTERNATIVE "X"

** W11.0 @ 1 1/4" may be substituted

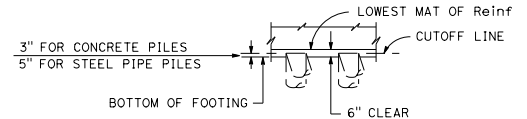
ALTERNATIVE "Y"

NOTES:

- Pile reinforcement extending into footing shall be hooked as required to provide clearance to top of footing. Piles shall be extended only with details shown on the Project Plans.
- At the Contractor's option, alternative steel pipe with at least the diameter and wall thickness shown on these plans may be used. The diameter shall not exceed 1'-6".
- Maximum cut-off length at the top of the Alternative "X" and Alternative "Y" piles is 10'-0".
- 2" clearance to spiral reinforcement shall be maintained if section used is larger than the minimum section shown.

	REQUIRED NOMINAL RESISTANCE (TENSION) *	
	75 kips OR LESS	GREATER THAN 75 kips
"A" BARS	#6	#8
"E" DIMENSION	1'-8"	2'-8"

* See Pile Data Table on the Project Plans for Nominal Resistance (Tension) Requirements



PILE EMBEDMENT

DESIGN NOTES:

DESIGN CAPACITY

- Compression = 200 kip (Service state)
- = 400 kip (Nominal axial structural resistance)
- Tension = 80 kip (Service state)
- = 200 kip (Nominal axial structural resistance)

REINFORCED CONCRETE

- f'c = 4,000 psi
- fy = 60,000 psi

PRECAST PRESTRESSED PILES

- Pf = Prestress Force (After losses)
- Concrete Strength f'c @ 28 days = 7,000 psi
- f'ci @ transfer = 4,000 psi

STEEL PIPE PILE

- Fy (minimum yield strength) = 45,000 psi
- Fu (minimum tensile strength) = 66,000 psi

STATE OF CALIFORNIA
DEPARTMENT OF TRANSPORTATION

**PILE DETAILS
CLASS 200**

NO SCALE

RSP B2-8 DATED OCTOBER 19, 2018 SUPERSEDES STANDARD PLAN B2-8
DATED MAY 31, 2018 - PAGE 324 OF THE STANDARD PLANS BOOK DATED 2018.

REVISED STANDARD PLAN RSP B2-8

2018 REVISED STANDARD PLAN RSP B2-8