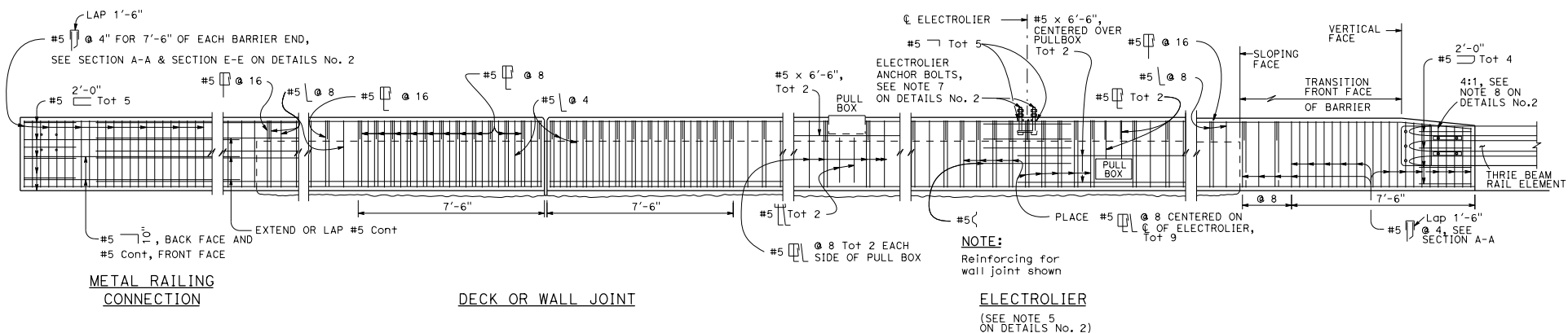
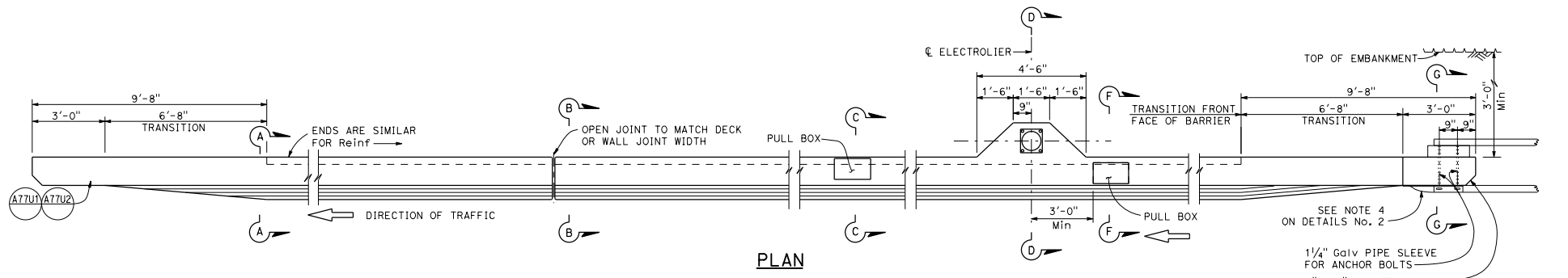


DIST	COUNTY	ROUTE	POST MILES TOTAL PROJECT	SHEET TOTAL NO. SHEETS
REGISTERED CIVIL ENGINEER October 19, 2018 PLANS APPROVAL DATE THE STATE OF CALIFORNIA OR ITS OFFICERS OR AGENTS SHALL NOT BE RESPONSIBLE FOR THE ACCURACY OR COMPLETENESS OF SCANNED COPIES OF THIS PLAN SHEET.				

TO ACCOMPANY PLANS DATED \_\_\_\_\_

2018 REVISED STANDARD PLAN RSP B11-79



STATE OF CALIFORNIA  
DEPARTMENT OF TRANSPORTATION  
**CONCRETE BARRIER TYPE 836  
DETAILS No. 1**  
NO SCALE

RSP B11-79 DATED OCTOBER 19, 2018 SUPPLEMENTS THE STANDARD PLANS BOOK DATED 2018.

**REVISED STANDARD PLAN RSP B11-79**