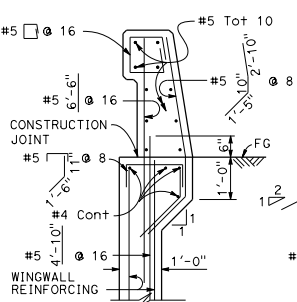
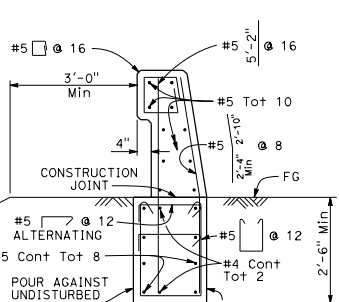


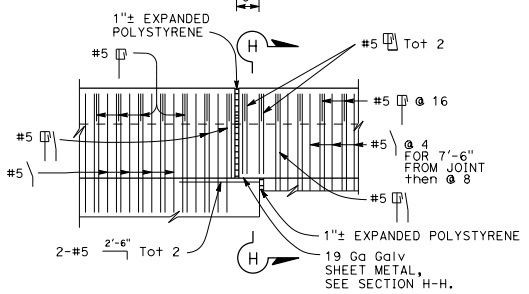
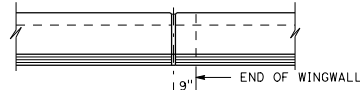
TYPE 836



TYPE 836A



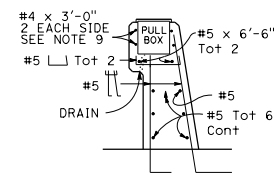
TYPE 836B



TYPE 836A

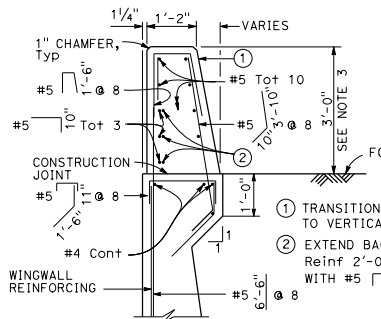
TYPE 836B

NOTE:
Types 842A & 842B are similar to Type 842 except as noted



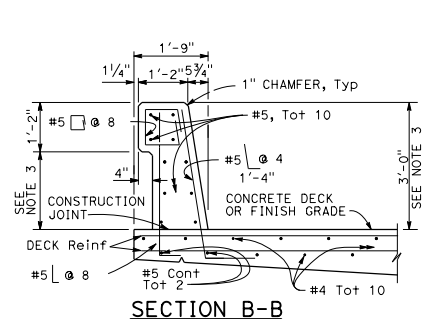
SECTION C-C

SEE NOTES



SECTION A-A

- ① TRANSITION SLOPING FACE TO VERTICAL FACE
- ② EXTEND BACK WALL Reinf 2'-0" LAPPING WITH #5

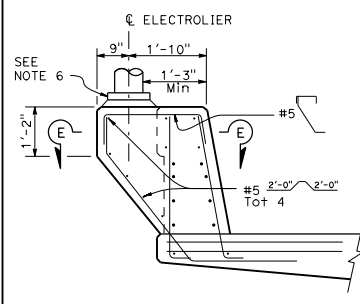
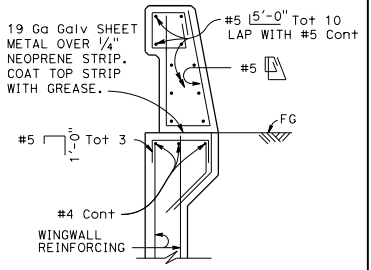


SECTION B-B

NOTES:

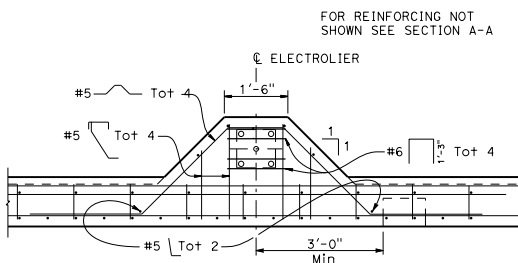
1. Walls are to be backfilled before barrier is placed.
2. Clearance to reinforcing steel in barrier to be 2", except as noted. Longitudinal reinforcement to stop at all expansion joints.
3. Dimensions may vary with roadway cross slope and with certain thickness of surfacing. See "ROADWAY PLANS."
4. For typical metal railing connection details not shown, see Standard Plans A77U1 and A77U2.
5. See Standard Plans ES-9A, ES-9B, ES-9C, ES-9D, and ES-9E for electrical details. The maximum number of conduits in the barrier is limited to two 2" conduits along with one 3" conduit. When a 3" conduit is used, it is restricted to the base of the barrier.
6. For electrolier mounting details, See Standard Plans ES-6A and ES-6B.
7. Minimum concrete edge distance, to the reinforcing shown, shall be maintained. Edge distance may be adjusted to accommodate increase in concrete cover for architectural treatment.
8. Taper the top of the end of the bridge railing at 4:1 to match the top elevation of the thrie beam rail element.
9. In front and back of pullbox (SECTION C-C) the #4 x 3'-0" bar must be centered so that extend minimum 8" beyond ends of pullbox. As an alternative, may substitute 4 x 4 - W12 x W12 welded fabric extending minimum 8" beyond ends of pullbox.

SECTION H-H

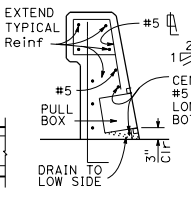


PEDESTAL ELEVATION

SECTION D-D

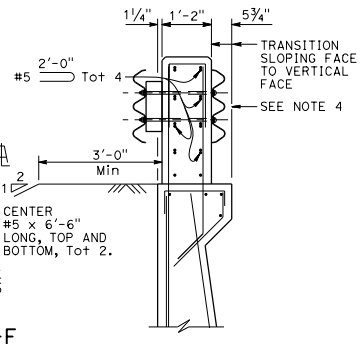


SECTION E-E



SECTION F-F

SEE NOTES



SECTION G-G

STATE OF CALIFORNIA
DEPARTMENT OF TRANSPORTATION
**CONCRETE BARRIER TYPE 836
DETAILS No. 2**
NO SCALE

RSP B11-80 DATED OCTOBER 19, 2018 SUPPLEMENTS THE STANDARD PLANS BOOK DATED 2018.

REVISED STANDARD PLAN RSP B11-80

DIST	COUNTY	ROUTE	POST MILES TOTAL PROJECT	SHEET NO.	TOTAL SHEETS

REGISTERED CIVIL ENGINEER

October 19, 2018
PLANS APPROVAL DATE

Tillot Satter
No. C42892
Exp. 3-31-20
CIVIL ENGINEER
STATE OF CALIFORNIA

THE STATE OF CALIFORNIA OR ITS OFFICERS OR AGENTS SHALL NOT BE RESPONSIBLE FOR THE ACCURACY OR COMPLETENESS OF SCANNED COPIES OF THIS PLAN SHEET.

TO ACCOMPANY PLANS DATED _____

2018 REVISED STANDARD PLAN RSP B11-80