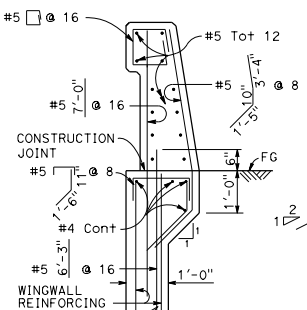
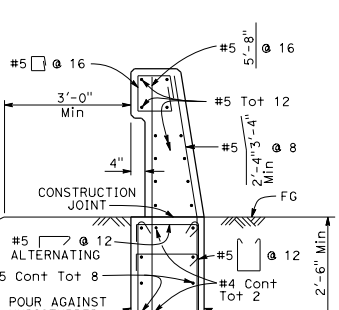


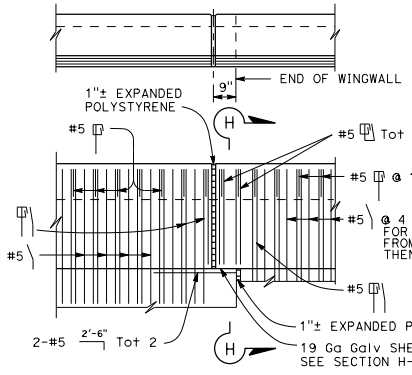
**TYPE 842**



**TYPE 842A**

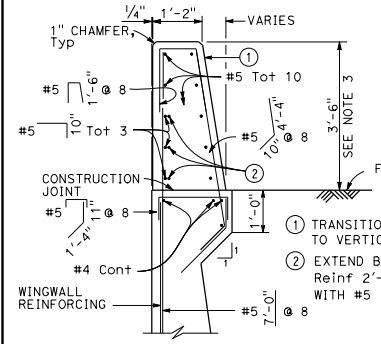


**TYPE 842B**

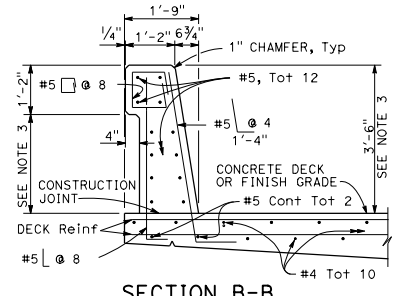


**TYPE 842A**

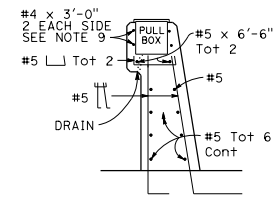
**TYPE 842B**



**SECTION A-A**

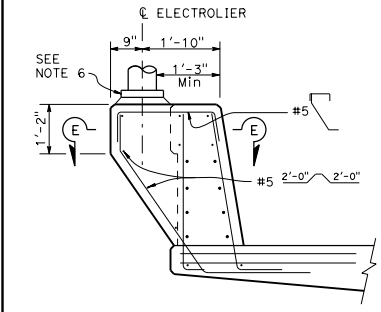


**SECTION B-B**



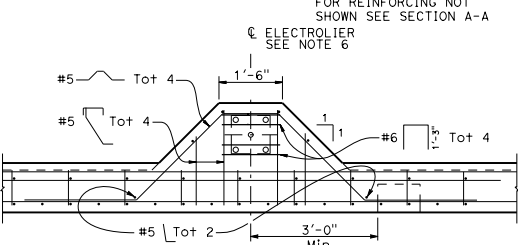
**SECTION C-C**

**NOTE:**  
Types 842A & 842B are similar to Type 842 except as noted

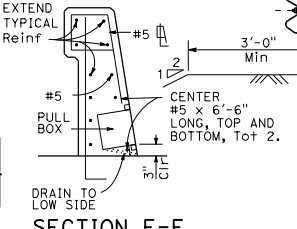


**PEDESTAL ELEVATION**

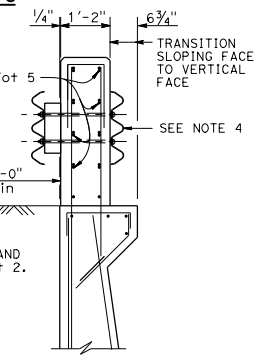
**SECTION D-D**



**SECTION E-E**



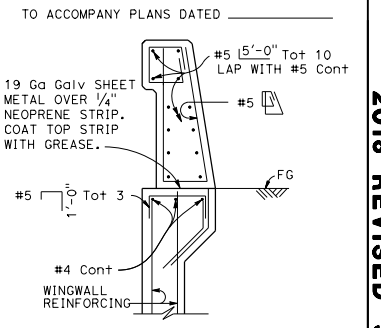
**SECTION F-F**



**SECTION G-G**

DIST	COUNTY	ROUTE	POST MILES TOTAL PROJECT	SHEET TOTAL SHEETS

REGISTERED CIVIL ENGINEER  
October 19, 2018  
PLANS APPROVAL DATE  
No. C42892  
Exp. 3-31-20  
Tillot Satter  
REGISTERED PROFESSIONAL ENGINEER  
CIVIL  
STATE OF CALIFORNIA



**SECTION H-H**

**NOTES:**

1. Walls are to be backfilled before barrier is placed.
2. Clearance to reinforcing steel in barrier to be 2", except as noted. Longitudinal reinforcement to stop at all expansion joints.
3. Dimensions may vary with roadway cross slope and with certain thickness of surfacing. See "ROADWAY PLANS."
4. For typical metal railing connection details not shown, see Standard Plans A7T01 and A7T02.
5. See Standard Plans ES-9A, ES-9B, ES-9C, ES-9D, and ES-9E for electrical details. The maximum number of conduits in the barrier is limited to two 2" conduits along with one 3" conduit. When a 3" conduit is used, it is restricted to the base of the barrier.
6. For electrolier mounting details, See Standard Plans ES-6A and ES-6B.
7. Minimum concrete edge distance, to the reinforcing shown, shall be maintained. Edge distance may be adjusted to accommodate increase in concrete cover for architectural treatment.
8. Taper the top of the end of the bridge railing at 4:1 to match the top elevation of the thrie beam rail element.
9. In front and back of pullbox (SECTION C-C) the #4 x 3'-0" bar must be centered so that extend minimum 8" beyond ends of pullbox. As an alternative, may substitute 4 x 4 - W12 x W12 welded fabric extending minimum 8" beyond ends of pullbox.

STATE OF CALIFORNIA  
DEPARTMENT OF TRANSPORTATION  
**CONCRETE BARRIER TYPE 842**  
**DETAILS No. 2**  
NO SCALE

RSP B11-82 DATED OCTOBER 19, 2018 SUPPLEMENTS THE STANDARD PLANS BOOK DATED 2018.

**REVISED STANDARD PLAN RSP B11-82**

2018 REVISED STANDARD PLAN RSP B11-82