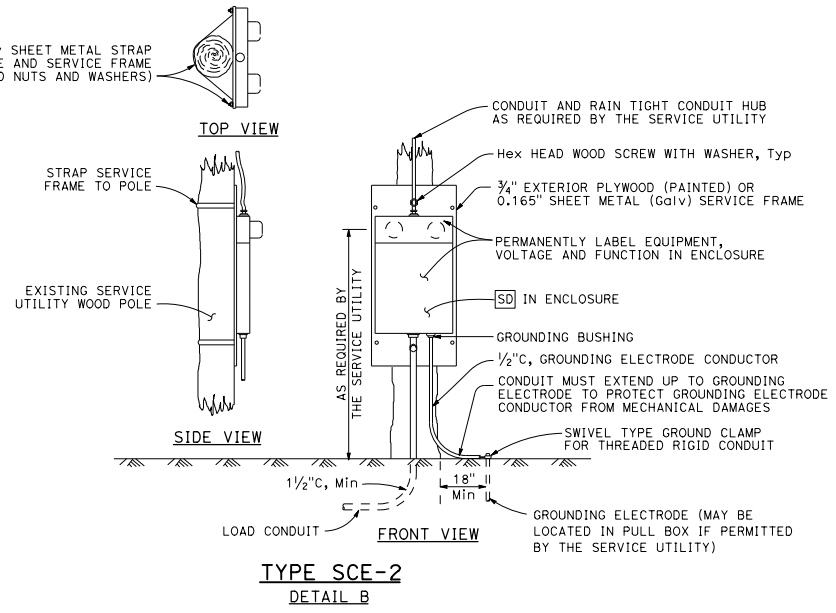
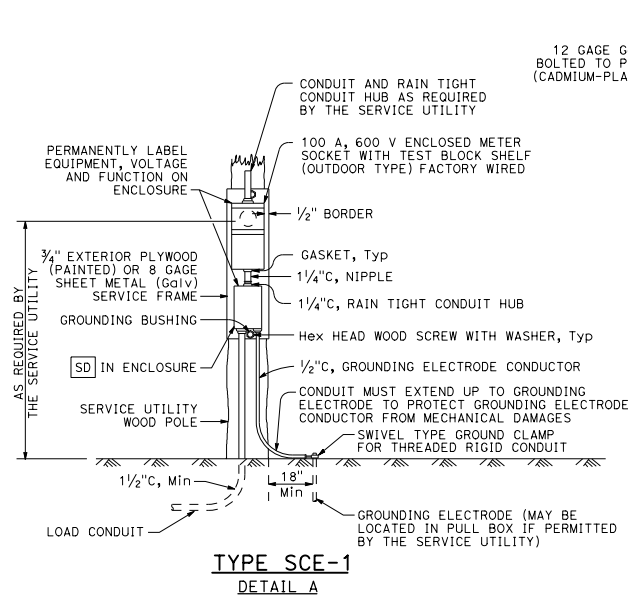


DIST	COUNTY	ROUTE	POST MILES TOTAL PROJECT	SHEET NO.	TOTAL SHEETS

H.R.F.
 REGISTERED ELECTRICAL ENGINEER
 October 19, 2018
 PLANS APPROVAL DATE
 Hamid Zolfaghari
 No. E15636
 Exp. 12-31-19
 REGISTERED PROFESSIONAL ENGINEER
 ELECTRICAL
 STATE OF CALIFORNIA
 THE STATE OF CALIFORNIA OR ITS OFFICERS OR AGENTS SHALL NOT BE RESPONSIBLE FOR THE ACCURACY OR COMPLETENESS OF SCANNED COPIES OF THIS PLAN SHEET.

TO ACCOMPANY PLANS DATED _____



STATE OF CALIFORNIA
DEPARTMENT OF TRANSPORTATION
**ELECTRICAL SYSTEMS
(SERVICE EQUIPMENT)**
NO SCALE

RSP ES-2B DATED OCTOBER 19, 2018 SUPERSEDES STANDARD PLAN ES-2B DATED MAY 31, 2018 - PAGE 479 OF THE STANDARD PLANS BOOK DATED 2018.
REVISED STANDARD PLAN RSP ES-2B

2018 REVISED STANDARD PLAN RSP ES-2B