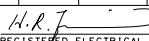
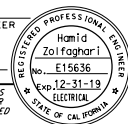
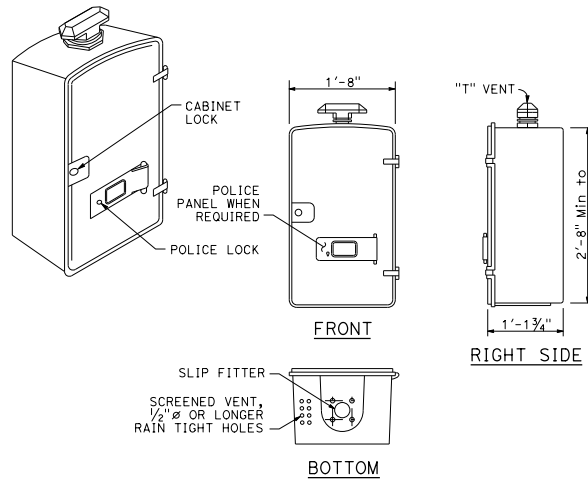


DIST	COUNTY	ROUTE	POST MILES TOTAL PROJECT	SHEET NO.	TOTAL SHEETS
 REGISTERED ELECTRICAL ENGINEER					
October 19, 2018 PLANS APPROVAL DATE					
					
<small>THE STATE OF CALIFORNIA OR ITS OFFICERS OR AGENTS SHALL NOT BE RESPONSIBLE FOR THE ACCURACY OR COMPLETENESS OF SCANNED COPIES OF THIS PLAN SHEET.</small>					

TO ACCOMPANY PLANS DATED \_\_\_\_\_

**NOTES:**

1. Cabinet dimensions are nominal.
2. Cabinet fan may be installed at an alternate location near the top of the cabinet when approved by the Engineer.



**TYPE G CABINET**

STATE OF CALIFORNIA  
DEPARTMENT OF TRANSPORTATION  
**ELECTRICAL SYSTEMS  
(CONTROLLER CABINET  
DETAILS)**

NO SCALE

RSP ES-3A DATED OCTOBER 19, 2018 SUPERSEDES STANDARD PLAN ES-3A  
DATED MAY 31, 2018 - PAGE 485 OF THE STANDARD PLANS BOOK DATED 2018.

**REVISED STANDARD PLAN RSP ES-3A**

**2018 REVISED STANDARD PLAN RSP ES-3A**