

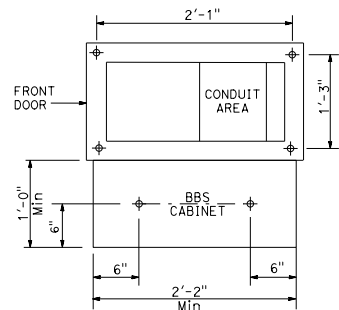
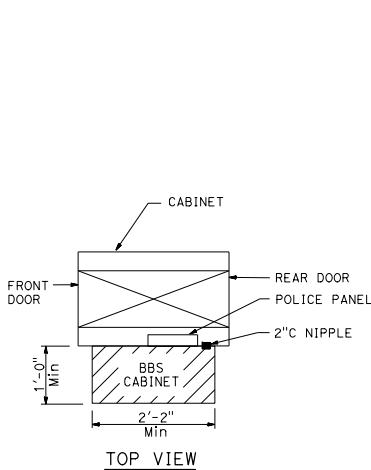
NOTES:

1. Where telephone interconnect is required, a minimum of 5" clear vertical space shall be provided inside the cabinet for the equipment.
2. Telephone interconnect conductors shall be enclosed in a 3/4" or larger conduit through the foundation. Type 4 conduit shall be used to separate telephone and power conductors in cabinets.

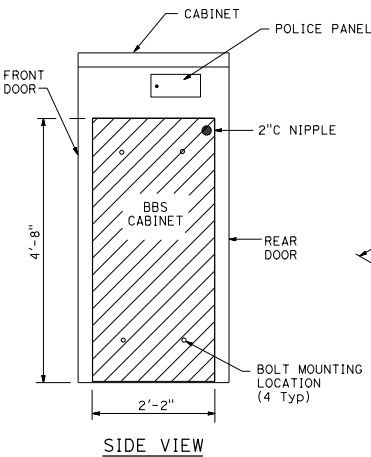
DIST	COUNTY	ROUTE	POST MILES TOTAL PROJECT	SHEET NO.	TOTAL SHEETS

H.R.F.
 REGISTERED ELECTRICAL ENGINEER
 Hamid Zolfaghari
 No. E15636
 Exp. 12-31-19
 THE STATE OF CALIFORNIA OR ITS OFFICERS OR AGENTS SHALL NOT BE RESPONSIBLE FOR THE ACCURACY OR COMPLETENESS OF SCANNED COPIES OF THIS PLAN SHEET.

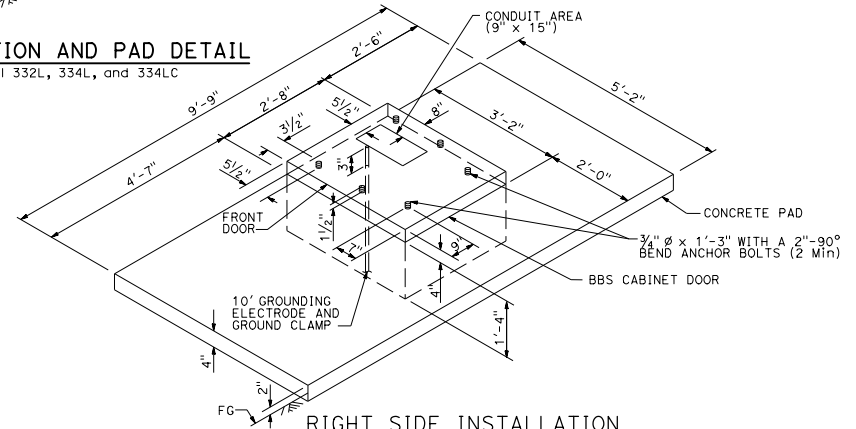
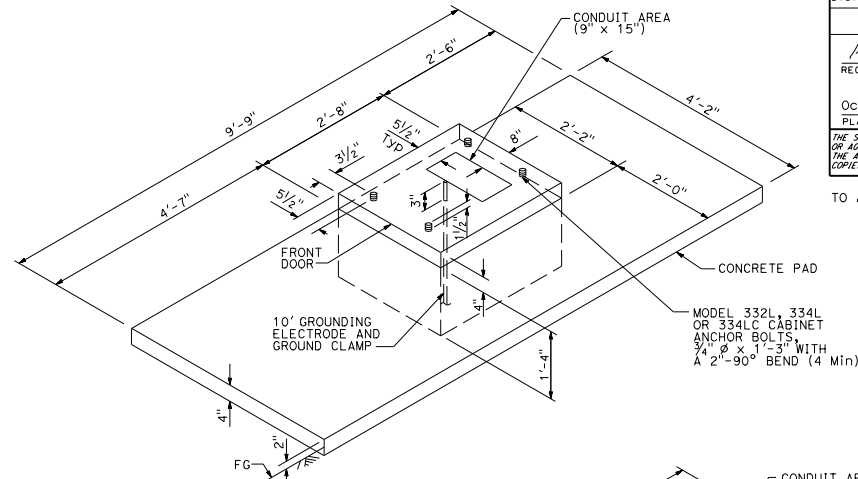
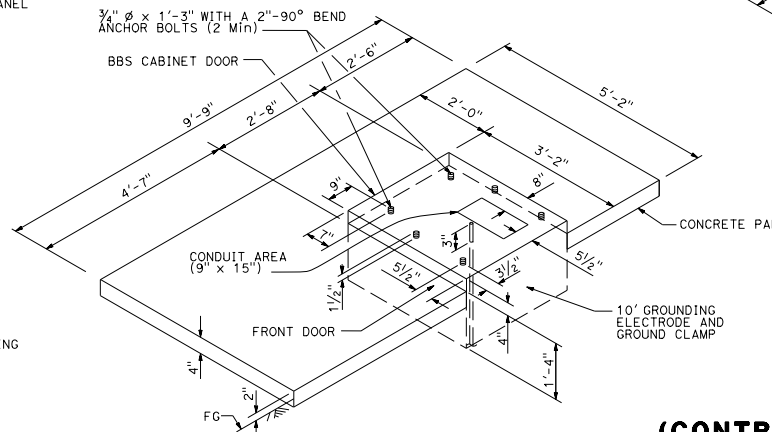
TO ACCOMPANY PLANS DATED _____



(FOR DIMENSIONS AND DETAILS NOT SHOWN, SEE CABINET HOUSING DETAILS OF THE TRANSPORTATION ELECTRICAL EQUIPMENT SPECIFICATION (TEES))



BBS CABINET MOUNTED TO THE MODEL 332L CABINET



STATE OF CALIFORNIA
DEPARTMENT OF TRANSPORTATION
ELECTRICAL SYSTEMS
(CONTROLLER CABINET FOUNDATION AND PAD DETAILS)
NO SCALE

RSP ES-3C DATED OCTOBER 19, 2018 SUPERSEDES STANDARD PLAN ES-3C DATED MAY 31, 2018 - PAGE 487 OF THE STANDARD PLANS BOOK DATED 2018.

REVISED STANDARD PLAN RSP ES-3C

2018 REVISED STANDARD PLAN RSP ES-3C