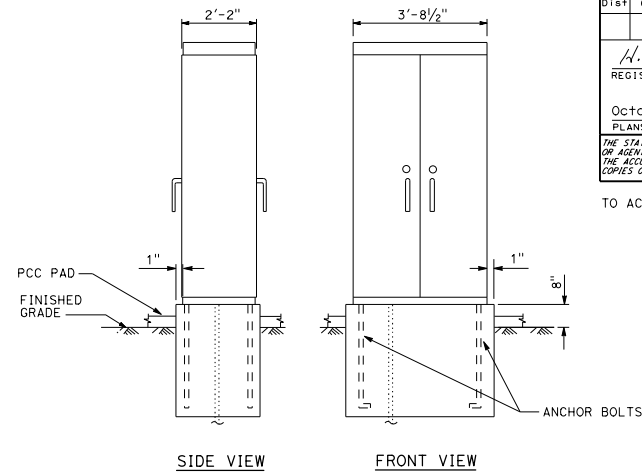
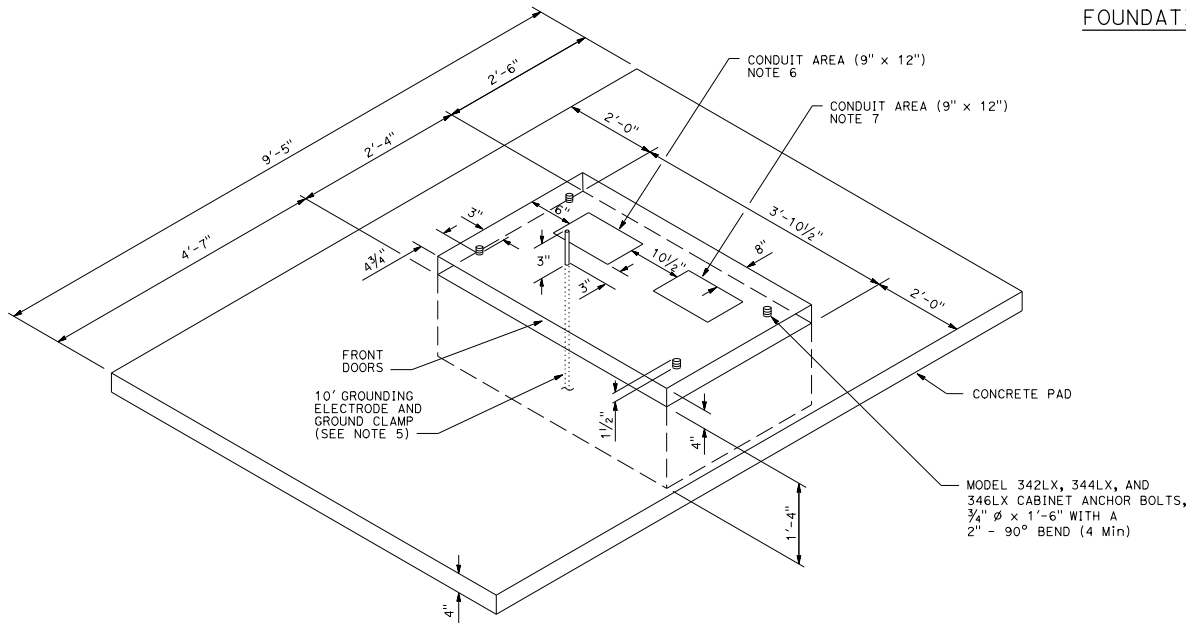


**NOTES:**

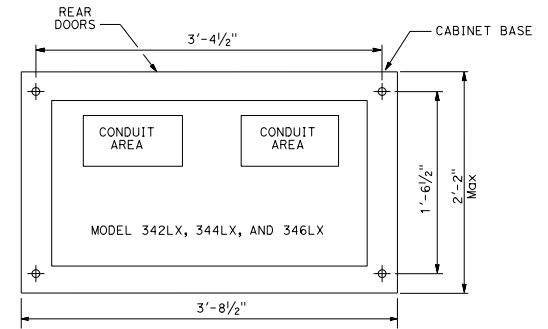
1. Where telephone interconnect is required, a minimum of 5" clear vertical space shall be provided inside the cabinet for the equipment.
2. Telephone interconnect conductors shall be enclosed in a 3/4" or larger conduit through the foundation. Type 4 conduit shall be used to separate telephone and power conductors in cabinets.
3. Dimensions are nominal.
4. For Model 342LX, 344LX, and 346LX cabinets details, see "Transportation Electrical Equipment Specifications".
5. Grounding electrode shall be placed 3 inches in front of the service conduit area.
6. Conduit area, to 120 V Service.
7. Conduit area for the controller side of cabinet.



FOUNDATION FOR TYPE LX CABINET  
DETAIL A



FOUNDATION AND PAD DETAIL  
Model 342LX, 344LX, and 346LX  
DETAIL B



BASE PLAN FOR THE MODEL  
342LX, 344LX, AND 346LX CABINET

STATE OF CALIFORNIA  
DEPARTMENT OF TRANSPORTATION  
**ELECTRICAL SYSTEMS  
(CONTROLLER CABINET  
FOUNDATION AND PAD DETAILS)**

NO SCALE

RSP ES-3C1 DATED OCTOBER 19, 2018 SUPERSEDES STANDARD PLAN ES-3C1  
DATED MAY 31, 2018 - PAGE 488 OF THE STANDARD PLANS BOOK DATED 2018.

**REVISED STANDARD PLAN RSP ES-3C1**

DIST	COUNTY	ROUTE	POST MILES TOTAL PROJECT	SHEET NO.	TOTAL SHEETS

H.R.F.  
REGISTERED ELECTRICAL ENGINEER

October 19, 2018  
PLANS APPROVAL DATE

Hamid Zolfaghari  
No. E15636  
Exp. 12-31-19  
ELECTRICAL ENGINEER  
STATE OF CALIFORNIA

THE STATE OF CALIFORNIA OR ITS OFFICERS OR AGENTS SHALL NOT BE RESPONSIBLE FOR THE ACCURACY OR COMPLETENESS OF SCANNED COPIES OF THIS PLAN SHEET.

TO ACCOMPANY PLANS DATED \_\_\_\_\_

2018 REVISED STANDARD PLAN RSP ES-3C1