

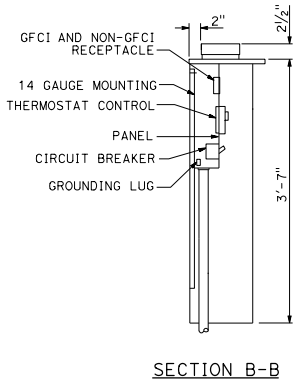
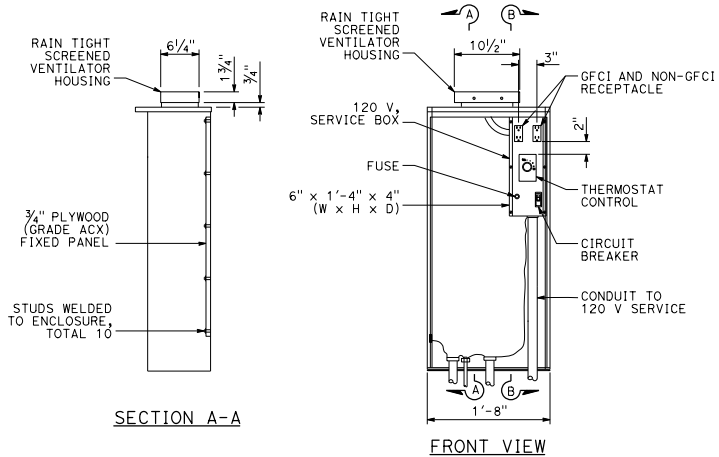
DIST	COUNTY	ROUTE	POST MILES TOTAL PROJECT	SHEET NO.	TOTAL SHEETS

*H.R.F.*  
 REGISTERED ELECTRICAL ENGINEER  
 Hamid Zolfaghari  
 No. E15636  
 PLANS APPROVAL DATE  
 October 19, 2018  
 EXP. 12-31-19  
 PROFESSIONAL ENGINEER  
 STATE OF CALIFORNIA

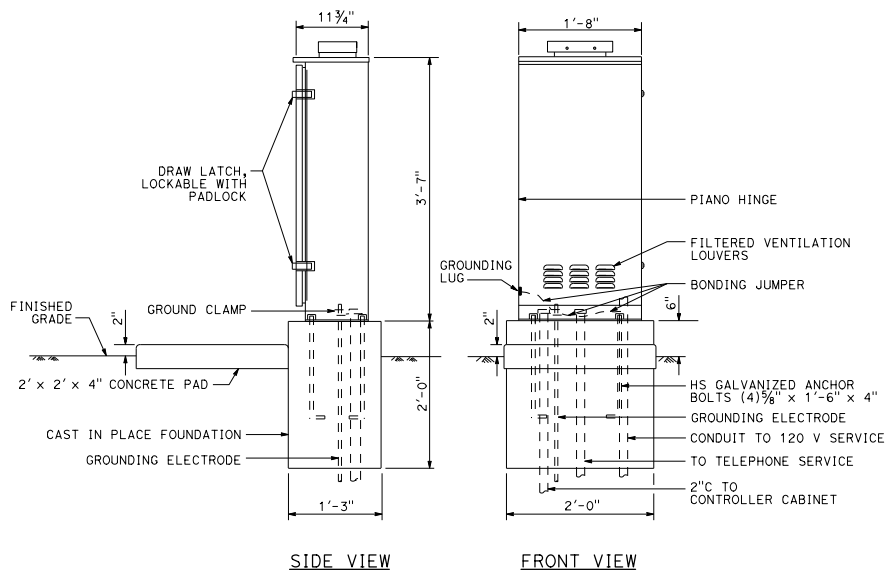
THE STATE OF CALIFORNIA OR ITS OFFICERS OR AGENTS SHALL NOT BE RESPONSIBLE FOR THE ACCURACY OR COMPLETENESS OF SCANNED COPIES OF THIS PLAN SHEET.

TO ACCOMPANY PLANS DATED \_\_\_\_\_

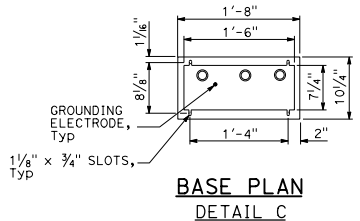
**NOTE:**  
1. Dimensions are nominal.



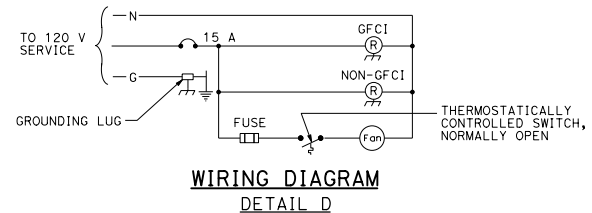
**FRONT VIEW**  
**INTERIOR**  
**DETAIL A**



**SIDE VIEW**  
**FRONT VIEW**  
**EXTERIOR**  
**DETAIL B**



**BASE PLAN**  
**DETAIL C**



**WIRING DIAGRAM**  
**DETAIL D**

STATE OF CALIFORNIA  
DEPARTMENT OF TRANSPORTATION  
**ELECTRICAL SYSTEMS**  
**(TELEPHONE DEMARCATION**  
**CABINET, TYPE B)**

NO SCALE

RSP ES-3E DATED OCTOBER 19, 2018 SUPERSEDES STANDARD PLAN ES-3E  
DATED MAY 31, 2018 - PAGE 491 OF THE STANDARD PLANS BOOK DATED 2018.

**REVISED STANDARD PLAN RSP ES-3E**

2018 REVISED STANDARD PLAN RSP ES-3E