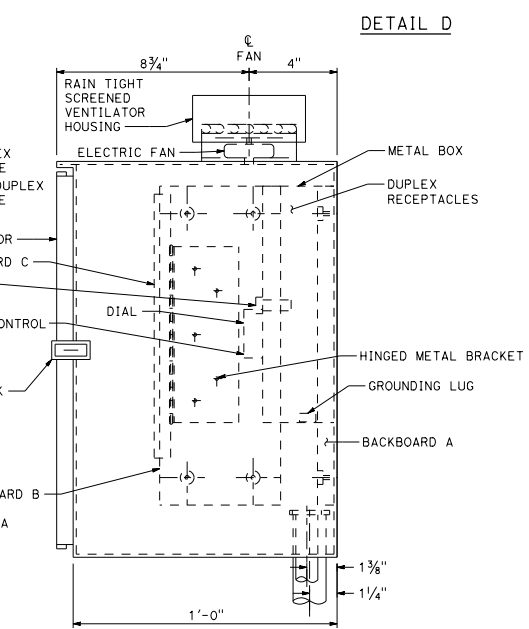
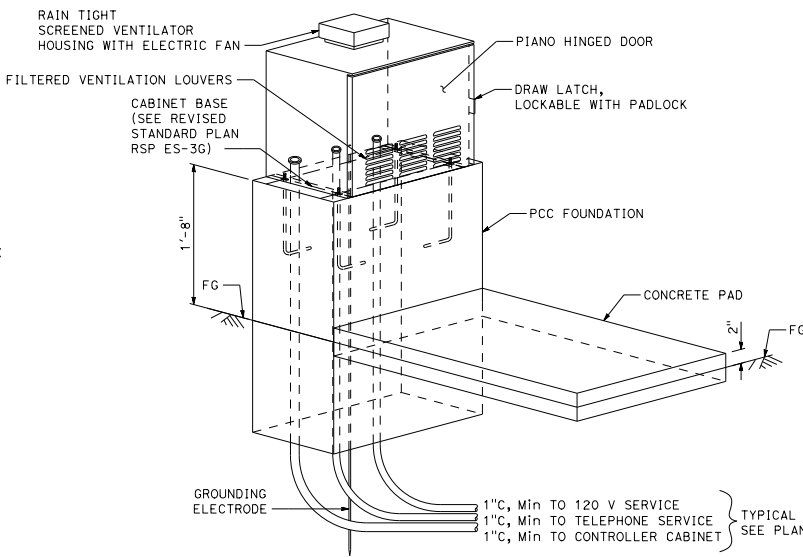
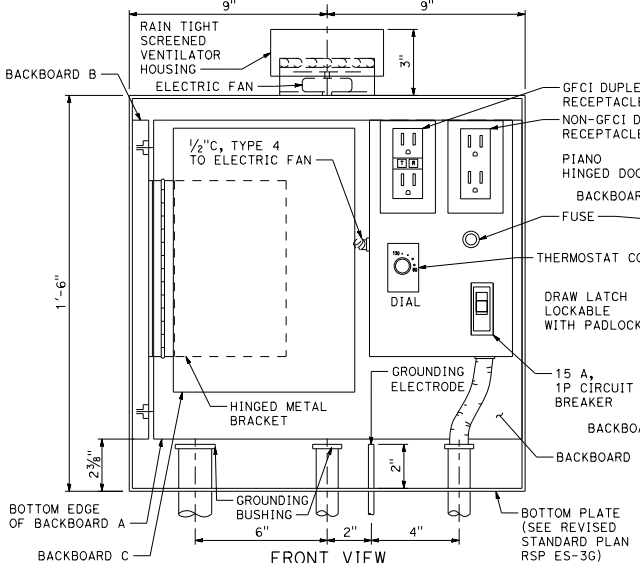
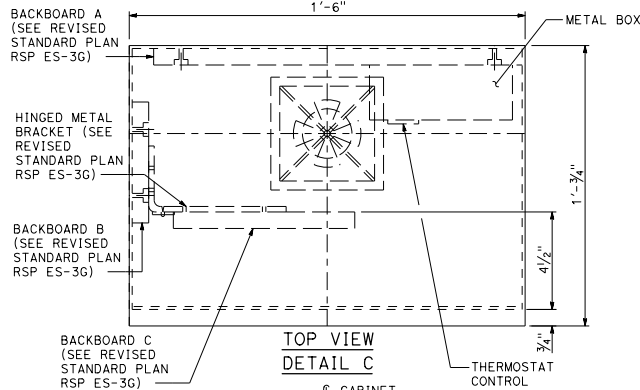


WIRING DIAGRAM

DETAIL F



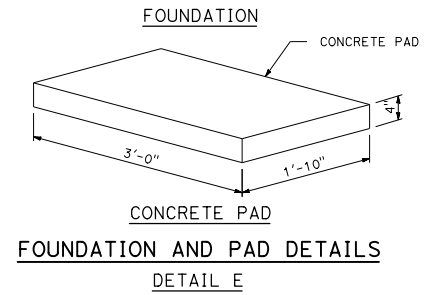
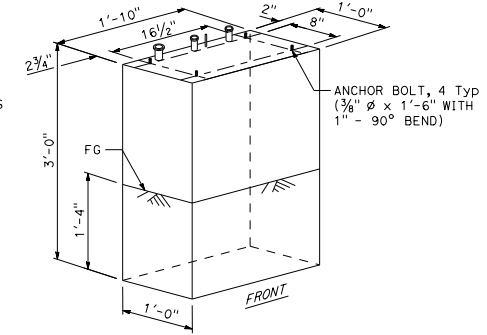
DIST	COUNTY	ROUTE	POST MILES TOTAL PROJECT	SHEET TOTAL SHEETS

H.R.F.
REGISTERED ELECTRICAL ENGINEER
Hamid Zolfaghar
No. E15636
PLANS APPROVAL DATE
October 19, 2018
EXP. 12-31-19
THE STATE OF CALIFORNIA OR ITS OFFICERS OR AGENTS SHALL NOT BE RESPONSIBLE FOR THE ACCURACY OR COMPLETENESS OF SCANNED COPIES OF THIS PLAN SHEET.

TO ACCOMPANY PLANS DATED _____

NOTES:

- Dimensions are nominal.
- Hardware for fastening of mounting boards:
 - Fasten backboard A and backboard B to telephone demarcation cabinet with 3/8" ϕ x 3/4" stainless steel carriage bolts (8 required).
 - Fasten hinged metal bracket to backboard B and backboard C to hinged metal bracket with No. 10 x 3/4" wood screws (9 required).



STATE OF CALIFORNIA
DEPARTMENT OF TRANSPORTATION
ELECTRICAL SYSTEMS
(TELEPHONE DEMARCATION CABINET, TYPE C)
NO SCALE

RSP ES-3F DATED OCTOBER 19, 2018 SUPERSEDES STANDARD PLAN ES-3F
DATED MAY 31, 2018 - PAGE 492 OF THE STANDARD PLANS BOOK DATED 2018.

REVISED STANDARD PLAN RSP ES-3F

2018 REVISED STANDARD PLAN RSP ES-3F