

DIST	COUNTY	ROUTE	POST MILES TOTAL PROJECT	SHEET NO.	TOTAL SHEETS

H.R.F.
REGISTERED ELECTRICAL ENGINEER

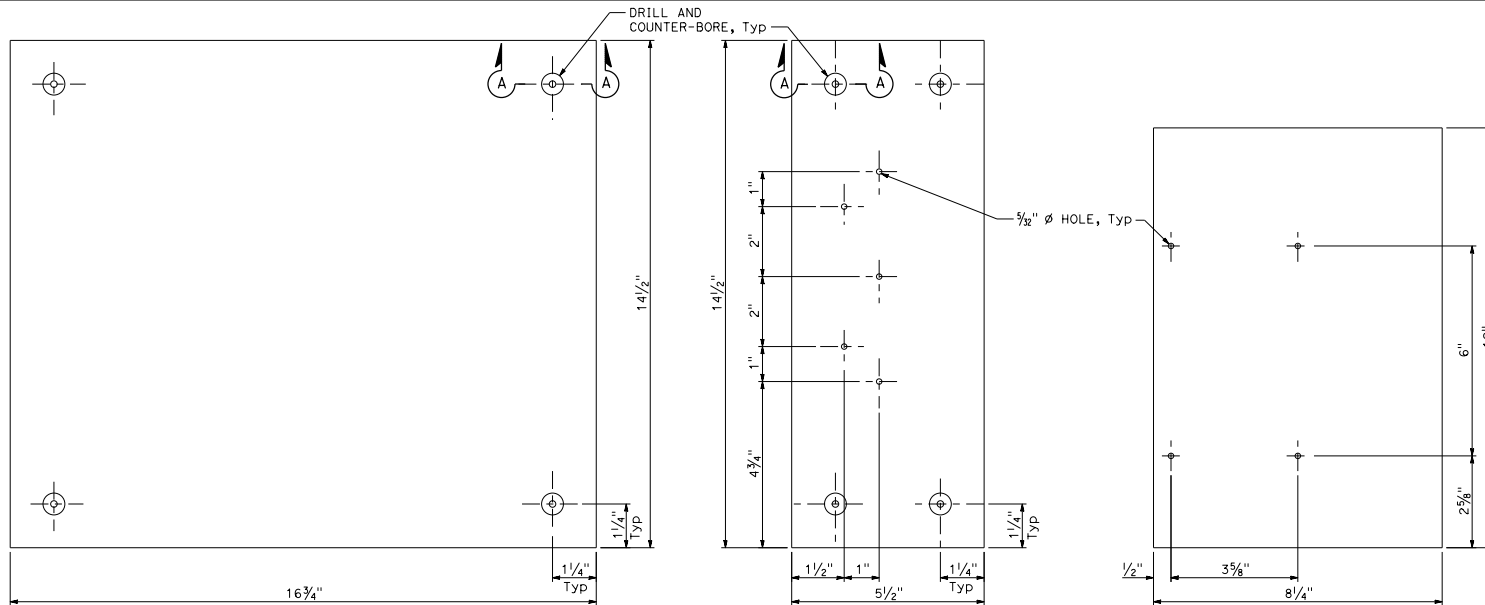
October 19, 2018
PLANS APPROVAL DATE

Hamid Zolfaghari
No. E15636
Exp. 12-31-19
ELECTRICAL
REGISTERED PROFESSIONAL ENGINEER
STATE OF CALIFORNIA

THE STATE OF CALIFORNIA OR ITS OFFICERS OR AGENTS SHALL NOT BE RESPONSIBLE FOR THE ACCURACY OR COMPLETENESS OF SCANNED COPIES OF THIS PLAN SHEET.

TO ACCOMPANY PLANS DATED _____

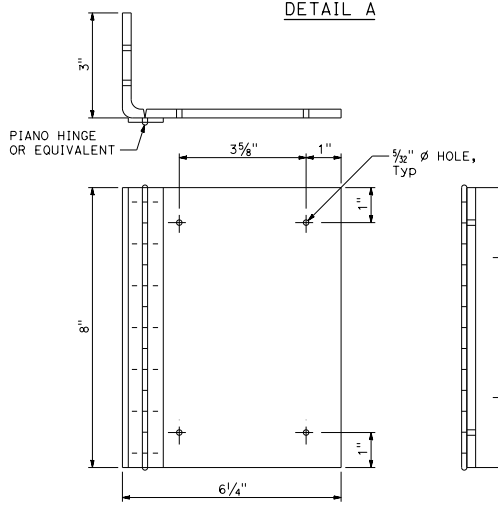
NOTE:
1. Base mounting frame shall be constructed with 0.134" galvanized steel.



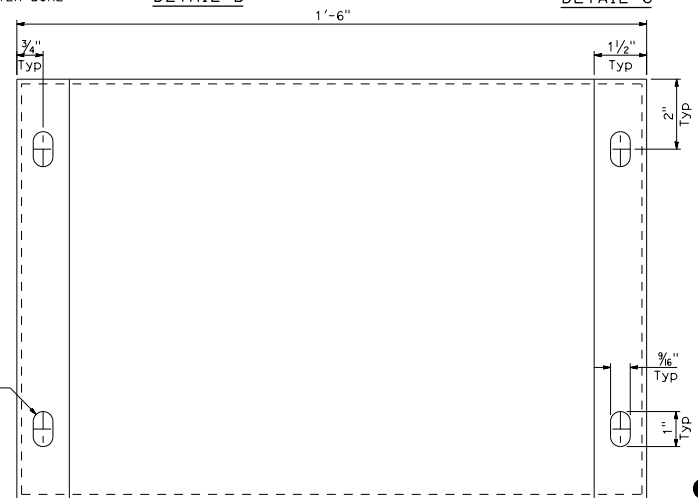
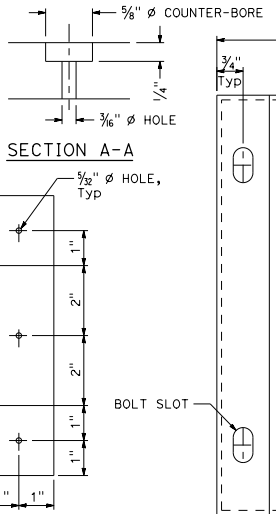
BACKBOARD A
DETAIL A

BACKBOARD B
DETAIL B

BACKBOARD C
DETAIL C



HINGED METAL BRACKET
DETAIL D



CABINET BASE
DETAIL E

STATE OF CALIFORNIA
DEPARTMENT OF TRANSPORTATION

**ELECTRICAL SYSTEMS
(TELEPHONE DEMARCATION
CABINET, TYPE C DETAILS)**

NO SCALE
RSP ES-3G DATED OCTOBER 19, 2018 SUPERSEDES STANDARD PLAN ES-3G
DATED MAY 31, 2018 - PAGE 493 OF THE STANDARD PLANS BOOK DATED 2018.

REVISED STANDARD PLAN RSP ES-3G

2018 REVISED STANDARD PLAN RSP ES-3G