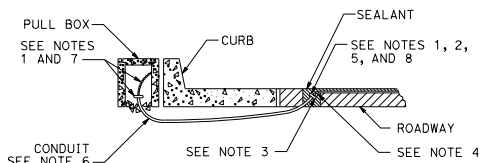


| DIST | COUNTY | ROUTE | POST MILES TOTAL PROJECT | SHEET NO. | TOTAL SHEETS |
|------|--------|-------|--------------------------|-----------|--------------|
| | | | | | |

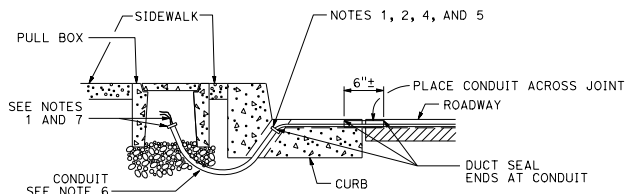
H.R.F.
 REGISTERED ELECTRICAL ENGINEER
 October 19, 2018
 PLANS APPROVAL DATE
 Hamid Zolfaghari
 No. E15636
 Exp. 12-31-19
 REGISTERED PROFESSIONAL ENGINEER
 ELECTRICAL
 STATE OF CALIFORNIA

THE STATE OF CALIFORNIA OR ITS OFFICERS OR AGENTS SHALL NOT BE RESPONSIBLE FOR THE ACCURACY OR COMPLETENESS OF SCANNED COPIES OF THIS PLAN SHEET.

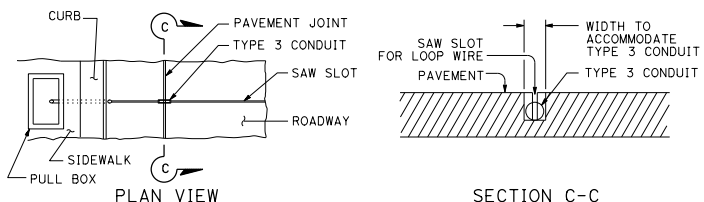
TO ACCOMPANY PLANS DATED _____



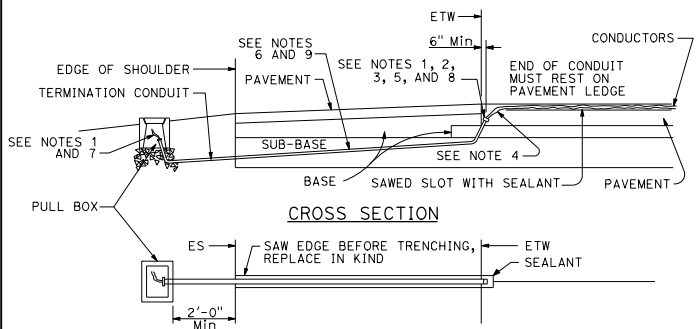
TYPE A
CURB TERMINATION DETAIL



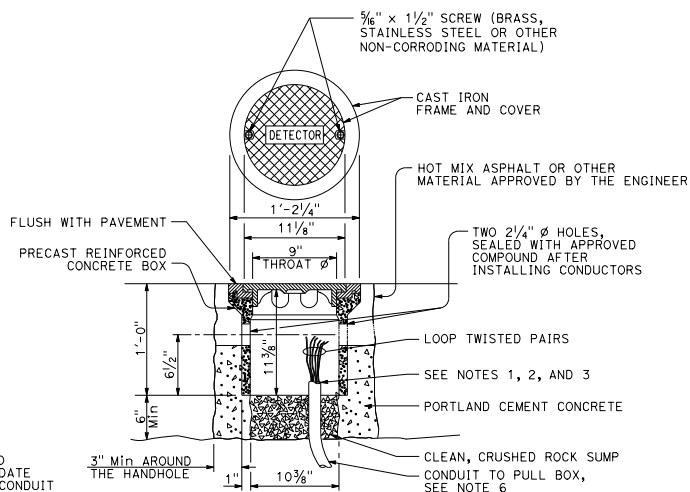
CROSS SECTION



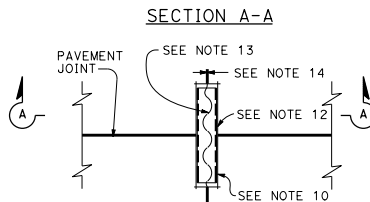
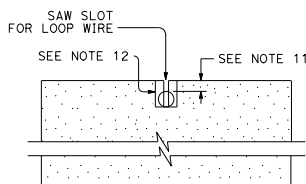
TYPE B
CURB TERMINATION DETAIL



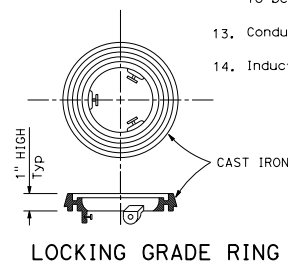
SHOULDER TERMINATION DETAILS



DETECTOR HANDHOLE DETAIL



TYPICAL LOOP LEAD-IN DETAIL AT PAVEMENT JOINT



NOTES:

- Bushing shall be used at end of conduit.
- Tape detector conductors 3" each side of bushings.
- Install duct seal compound to each end of termination conduit before installing sealant.
- Round all sharp edges where detector conductors have to pass.
- End of conduit shall be 3/8" below roadway surface.
- Conduit size Loop conductors
 1" C minimum 1 to 2 pairs
 1 1/2" C minimum 3 to 4 pairs
 2" C minimum 5 or more pairs
- Splice detector conductors to detector lead-in-cable.
- Location of detector handhole when shown on plans.
- When the shoulder and traveled way are paved with the same material and there is no joint between them, the conduit shall extend only 2'-0" into the shoulder pavement.
- 3/4" C, Type 3 conduit 6" long minimum, plug both ends with duct compound to keep out sealant.
- 1/2" Minimum between top of conduit and pavement surface.
- Sawcut shall not exceed 1" in width and 1/8" longer than conduit to be installed.
- Conductors with 1/2" minimum slack inside conduit.
- Inductive loop detector saw slot.

STATE OF CALIFORNIA
 DEPARTMENT OF TRANSPORTATION
ELECTRICAL SYSTEMS
(CURB AND SHOULDER TERMINATION, TRENCH, AND HANDHOLE DETAILS)

NO SCALE

RSP ES-5D DATED OCTOBER 19, 2018 SUPERSEDES STANDARD PLAN ES-5D DATED MAY 31, 2018 - PAGE 507 OF THE STANDARD PLANS BOOK DATED 2018.

REVISED STANDARD PLAN RSP ES-5D

2018 REVISED STANDARD PLAN RSP ES-5D