

LUMINAIRE MAST ARM DATA			
M PROJECTED LENGTH	N RISE	Min OD AT POLE	NOMINAL THICKNESS
15'-0"	4'-9"±	4 1/2"	0.1196"
20'-0"	2'-6"±	5"	0.1793"

POLE DATA				
POLE EXTENSION TYPE	HEIGHT "H"	Min OD		THICKNESS
		BASE	TOP	
5	5'-0"	6 1/2"	5 1/8"	0.1793"
10	10'-0"	7 1/4"		

Dist	COUNTY	ROUTE	POST MILES TOTAL PROJECT	SHEET No.	TOTAL SHEETS

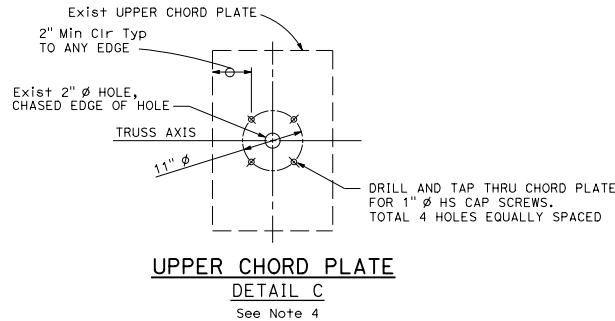
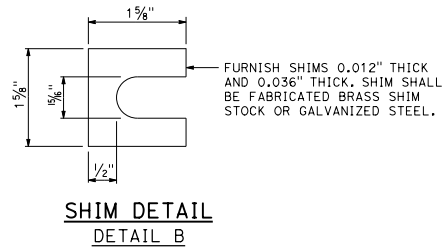
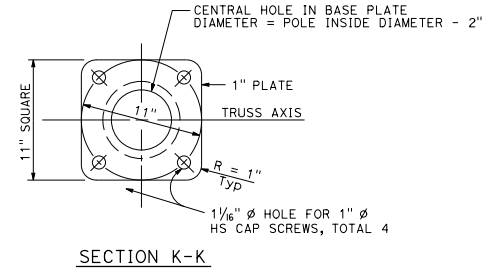
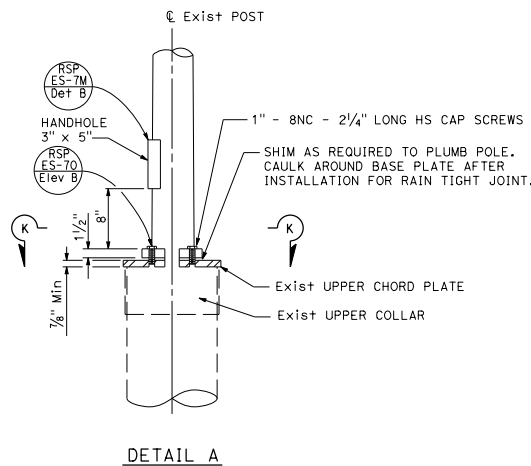
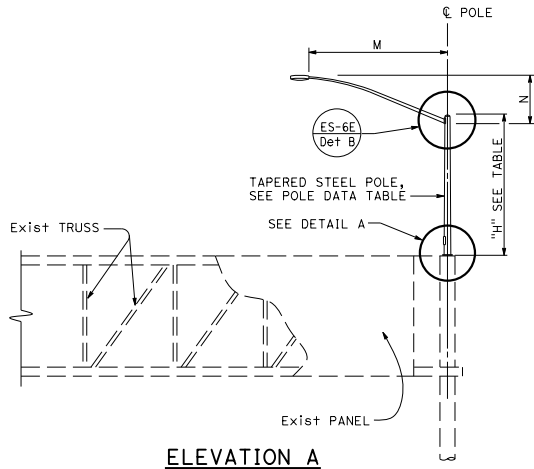
Stanley P. Johnson
 REGISTERED CIVIL ENGINEER
 No. C67795
 Exp. 3-31-20
 CIVIL
 STATE OF CALIFORNIA

October 19, 2018
 PLANS APPROVAL DATE
 THE STATE OF CALIFORNIA OR ITS OFFICERS OR AGENTS SHALL NOT BE RESPONSIBLE FOR THE ACCURACY OR COMPLETENESS OF SCANNED COPIES OF THIS PLAN SHEET.

TO ACCOMPANY PLANS DATED _____

NOTES:

- The Contractor shall verify all controlling field dimensions before ordering or fabricating any material.
- Bolt hole locations may vary at the discretion of the Engineer.
- For Wind Loading see Revised Standard Plan RSP ES-7M.
- See Standard Plan S13.
- Materials (Structural Steel):
 a. fy = 55,000 psi tapered steel tube (pole)
 b. fy = 50,000 psi unless otherwise noted



STATE OF CALIFORNIA
 DEPARTMENT OF TRANSPORTATION
**ELECTRICAL SYSTEMS
 (LIGHTING STANDARD,
 TYPES 5 AND 10,
 OVERHEAD SIGN MOUNTED)**
 NO SCALE

RSP ES-6C DATED MAY 31, 2018 SUPERSEDES STANDARD PLAN ES-6C DATED MAY 31, 2018 - PAGE 510 OF THE STANDARD PLANS BOOK DATED 2018.

REVISED STANDARD PLAN RSP ES-6C

2018 REVISED STANDARD PLAN RSP ES-6C