

Dist	COUNTY	ROUTE	POST MILES TOTAL PROJECT	SHEET NO.	TOTAL SHEETS

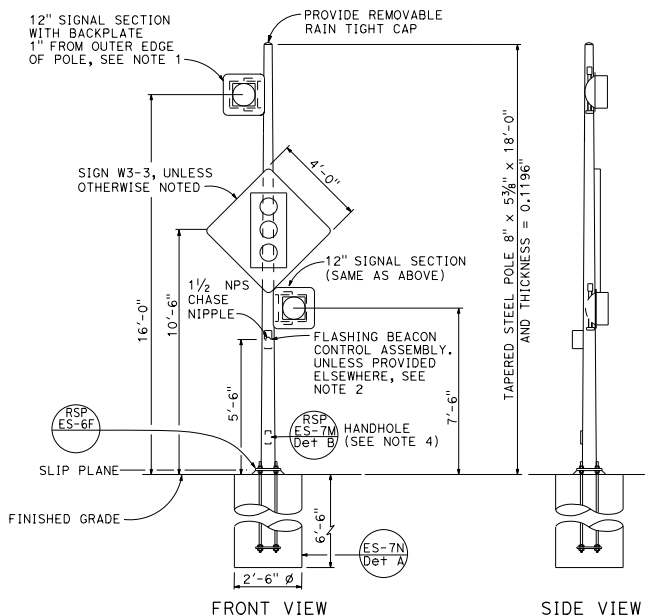
*Stanley P. Johnson*  
 REGISTERED CIVIL ENGINEER  
 No. C61793  
 Exp. 3-31-20  
 CIVIL  
 STATE OF CALIFORNIA

October 19, 2018  
 PLANS APPROVAL DATE  
 THE STATE OF CALIFORNIA OR ITS OFFICERS OR AGENTS SHALL NOT BE RESPONSIBLE FOR THE ACCURACY OR COMPLETENESS OF SCANNED COPIES OF THIS PLAN SHEET.

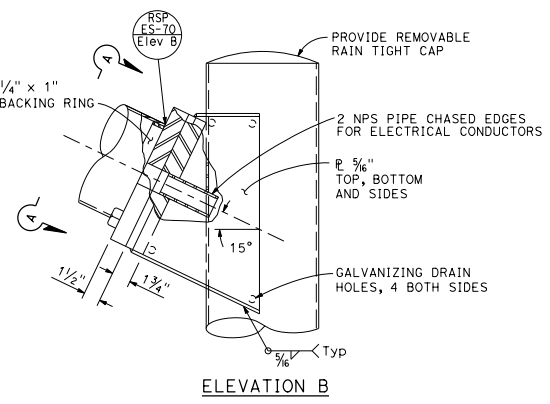
TO ACCOMPANY PLANS DATED \_\_\_\_\_

**NOTES:**

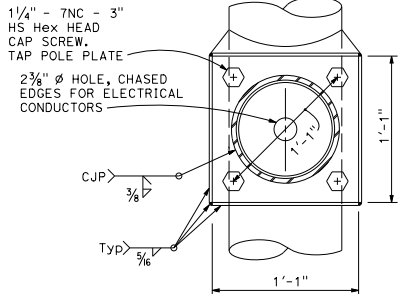
1. See Standard Plan ES-4A and Revised Standard Plan RSP ES-4D for attachment fitting details.
2. For wiring diagram, see Revised Standard Plan RSP ES-14B.
3. For additional notes and details, see Revised Standard Plan RSP ES-7M and Standard Plan ES-7N.
4. Handhole shall be located on the downstream side of traffic.
5. See project plans for type of standard to be installed.



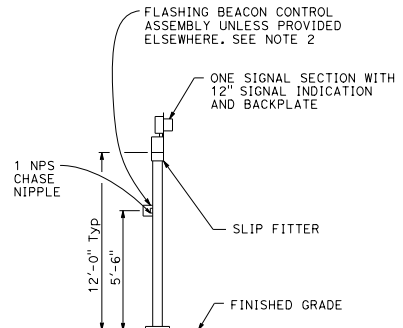
**TYPE 15-FBS**  
**FLASHING BEACON WITH SLIP BASE INSTALLATION**  
**DETAIL A**



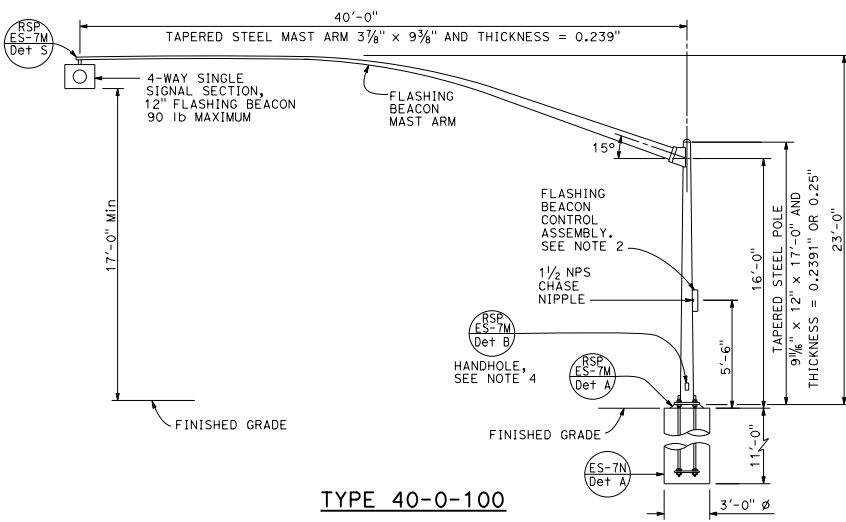
**ELEVATION B**



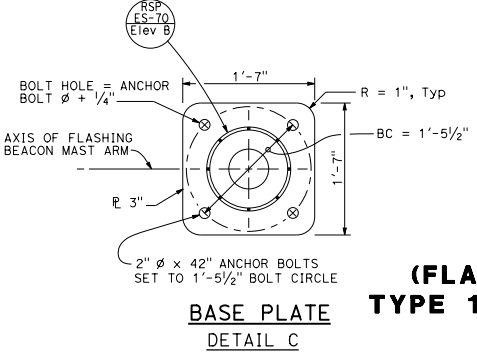
**VIEW A-A**  
**FLASHING BEACON MAST ARM**  
**CONNECTION DETAIL**  
**DETAIL B**



**TYPE 1-A, 1-C, AND 1-D**  
**FLASHING BEACON INSTALLATION**  
**DETAIL D**  
See Note 5



**TYPE 40-0-100**  
**ELEVATION A**



**BASE PLATE**  
**DETAIL C**

STATE OF CALIFORNIA  
DEPARTMENT OF TRANSPORTATION  
**ELECTRICAL SYSTEMS**  
**(FLASHING BEACON ON A TYPE 1,**  
**TYPE 15-FBS, AND TYPE 40 STANDARD)**  
NO SCALE

RSP ES-7J DATED OCTOBER 19, 2018 SUPERSEDES STANDARD PLAN ES-7J  
DATED MAY 31, 2018 - PAGE 523 OF THE STANDARD PLANS BOOK DATED 2018.

**REVISED STANDARD PLAN RSP ES-7J**

2018 REVISED STANDARD PLAN RSP ES-7J