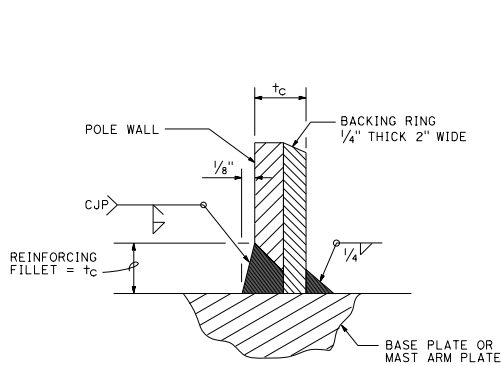


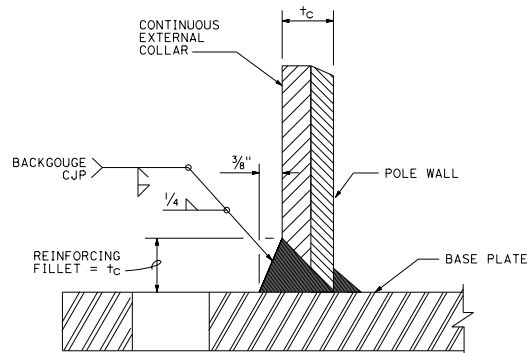
Dist	COUNTY	ROUTE	POST MILES TOTAL PROJECT	SHEET No.	TOTAL SHEETS

Stanley P. Johnson
 REGISTERED CIVIL ENGINEER
 No. 05795
 Exp. 3-31-20
 STATE OF CALIFORNIA

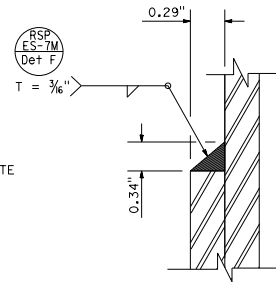
October 19, 2018
 PLANS APPROVAL DATE
 THE STATE OF CALIFORNIA OR ITS OFFICERS
 OR AGENTS SHALL NOT BE RESPONSIBLE FOR
 THE ACCURACY OR COMPLETENESS OF SCANNED
 COPIES OF THIS PLAN SHEET.



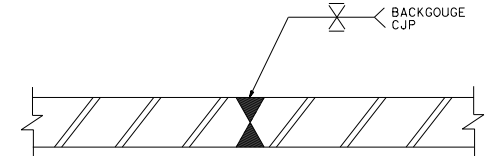
DETAIL B



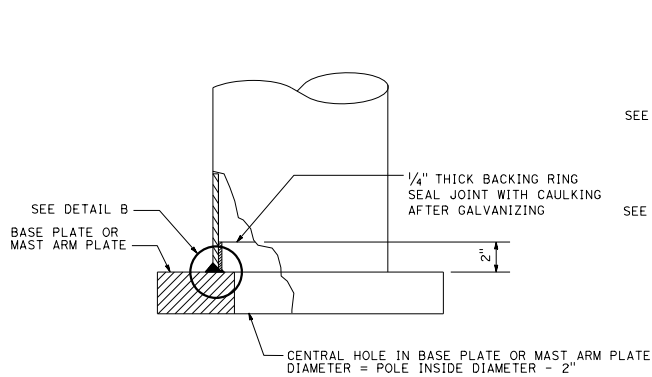
DETAIL C1



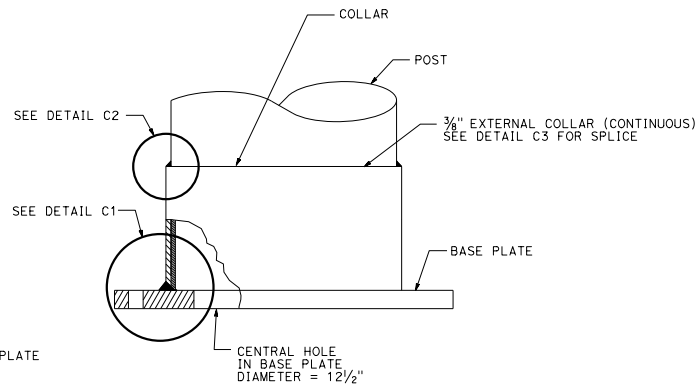
DETAIL C2



DETAIL C3

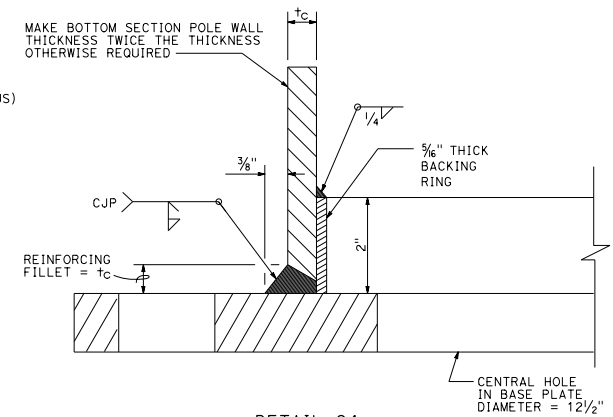


ELEVATION B



ELEVATION C

For alternative base, see Detail C4



DETAIL C4

STATE OF CALIFORNIA
 DEPARTMENT OF TRANSPORTATION
**ELECTRICAL SYSTEMS
 (SIGNAL AND LIGHTING STANDARD,
 DETAIL No. 3)**

NO SCALE

RSP ES-70 DATED OCTOBER 19, 2018 SUPERSEDES STANDARD PLAN ES-70
 DATED MAY 31, 2018 - PAGE 528 OF THE STANDARD PLANS BOOK DATED 2018.

REVISED STANDARD PLAN RSP ES-70

2018 REVISED STANDARD PLAN RSP ES-70