
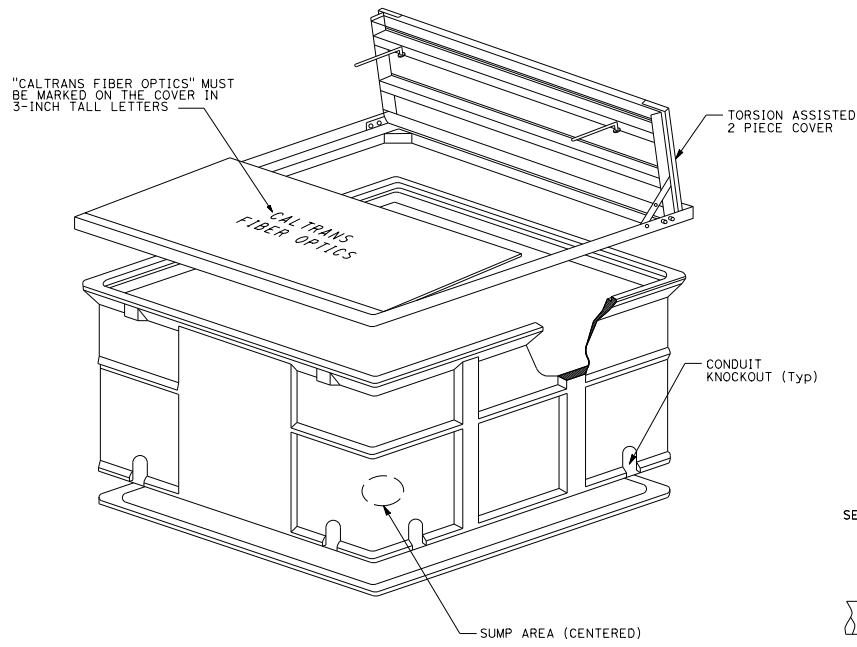
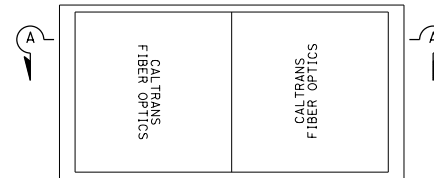


DIST	COUNTY	ROUTE	POST MILES TOTAL PROJECT	SHEET NO.	TOTAL SHEETS
					
H.R.F. REGISTERED ELECTRICAL ENGINEER October 19, 2018 PLANS APPROVAL DATE THE STATE OF CALIFORNIA OR ITS OFFICERS OR AGENTS SHALL NOT BE RESPONSIBLE FOR THE ACCURACY OR COMPLETENESS OF SCANNED COPIES OF THIS PLAN SHEET.					

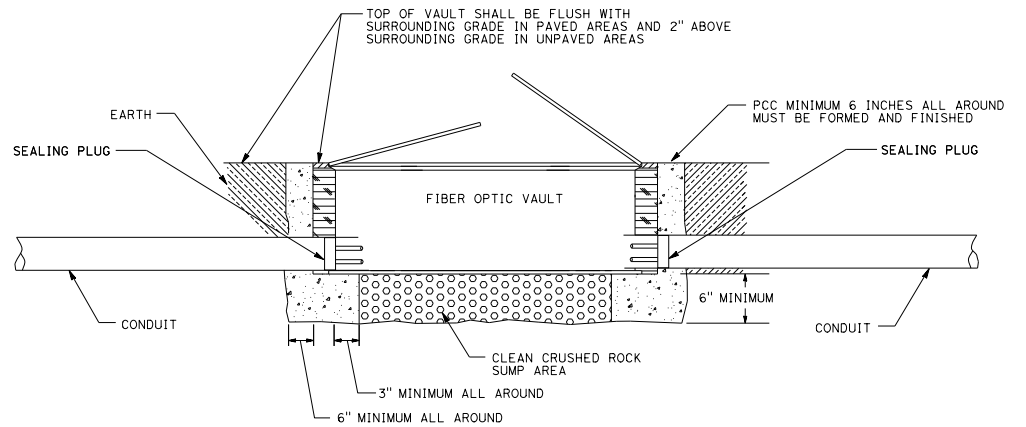
TO ACCOMPANY PLANS DATED \_\_\_\_\_



**SPLICE VAULT-ISOMETRIC VIEW**



**TOP VIEW**



**SECTION A-A**

STATE OF CALIFORNIA  
DEPARTMENT OF TRANSPORTATION  
**ELECTRICAL SYSTEMS  
(VAULTS)**  
NO SCALE

RSP ES-8C DATED OCTOBER 19, 2018 SUPERSEDES STANDARD PLAN ES-8C  
DATED MAY 31, 2018 - PAGE 534 OF THE STANDARD PLANS BOOK DATED 2018.

**REVISED STANDARD PLAN RSP ES-8C**

2018 REVISED STANDARD PLAN RSP ES-8C