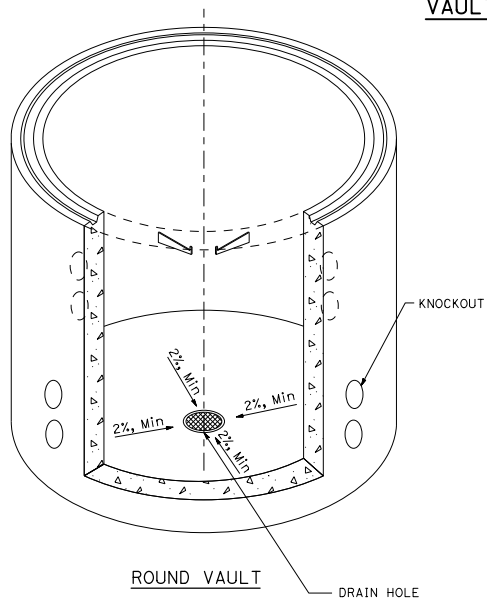
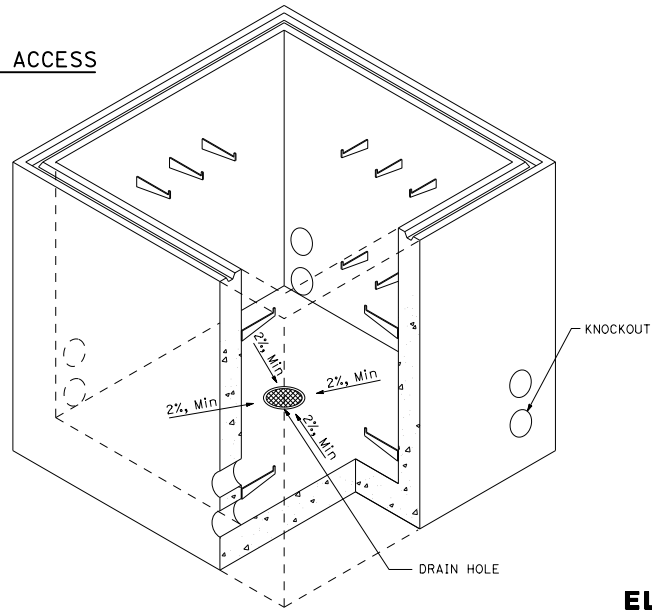


VAULT COVER AND ACCESS



ROUND VAULT

DRAIN HOLE



BOX VAULT

VAULT BODY

DIST	COUNTY	ROUTE	POST MILES TOTAL PROJECT	SHEET NO.	TOTAL SHEETS

H.R.F.
 REGISTERED ELECTRICAL ENGINEER
 October 19, 2018
 PLANS APPROVAL DATE
 THE STATE OF CALIFORNIA OR ITS OFFICERS OR AGENTS SHALL NOT BE RESPONSIBLE FOR THE ACCURACY OR COMPLETENESS OF SCANNED COPIES OF THIS PLAN SHEET.

Hamid Zolfaghari
 No. E15636
 Exp. 12-31-19
 ELECTRICAL ENGINEER
 STATE OF CALIFORNIA

TO ACCOMPANY PLANS DATED _____

STATE OF CALIFORNIA
DEPARTMENT OF TRANSPORTATION
**ELECTRICAL SYSTEMS
(VAULTS)**
NO SCALE

RSP ES-8D DATED OCTOBER 19, 2018 SUPERSEDES THE STANDARD PLANS BOOK DATED 2018.

REVISED STANDARD PLAN RSP ES-8D

2018 REVISED STANDARD PLAN RSP ES-8D