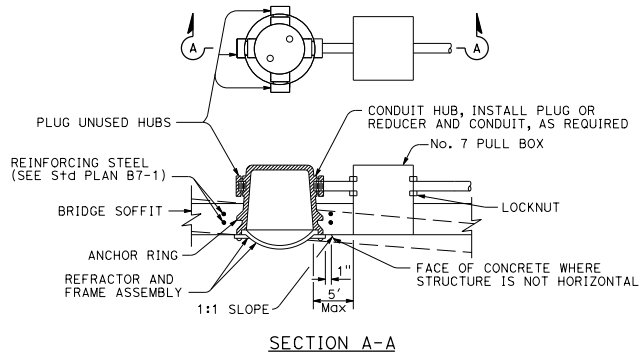


DIST	COUNTY	ROUTE	POST MILES TOTAL PROJECT	SHEET NO.	TOTAL SHEETS

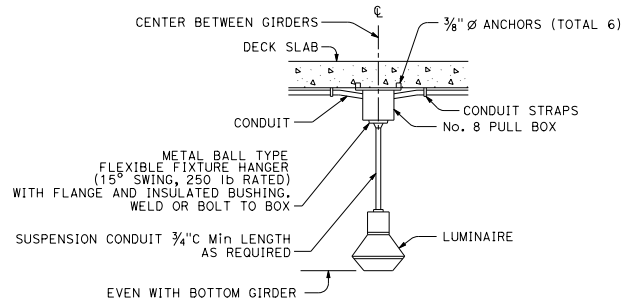
*H.R.F.*  
 REGISTERED ELECTRICAL ENGINEER  
 October 19, 2018  
 PLANS APPROVAL DATE  
 THE STATE OF CALIFORNIA OR ITS OFFICERS OR AGENTS SHALL NOT BE RESPONSIBLE FOR THE ACCURACY OR COMPLETENESS OF SCANNED COPIES OF THIS PLAN SHEET.  
 EXP. 12-31-19  
 PROFESSIONAL ENGINEER  
 Hamid Zolfaghari  
 No. E15636  
 ELECTRICAL  
 STATE OF CALIFORNIA

TO ACCOMPANY PLANS DATED \_\_\_\_\_

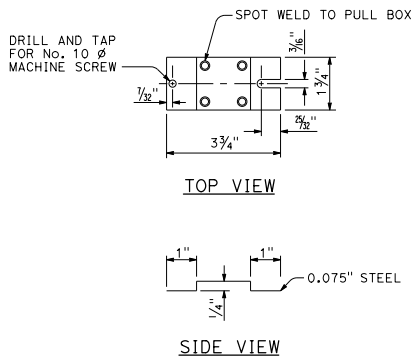
2018 REVISED STANDARD PLAN RSP ES-9E



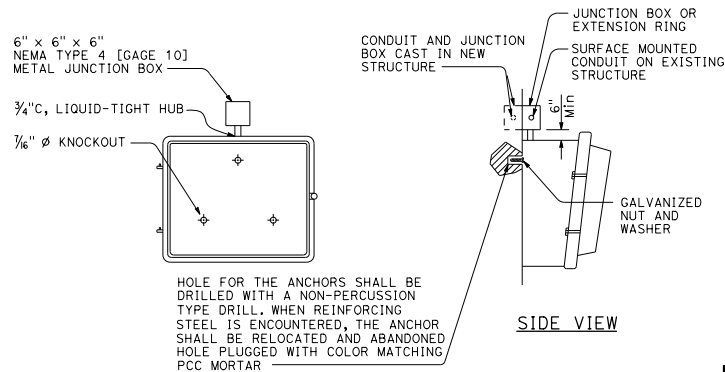
**FLUSH-MOUNTED SOFFIT LUMINAIRE INSTALLATION**  
DETAIL F



**PENDANT SOFFIT LUMINAIRE INSTALLATION**  
DETAIL P



**TERMINAL BLOCK MOUNTING BRACKET**  
DETAIL T



**WALL-MOUNTED LUMINAIRE INSTALLATION**  
DETAIL W

STATE OF CALIFORNIA  
DEPARTMENT OF TRANSPORTATION  
**ELECTRICAL SYSTEMS  
(FLUSH-MOUNTED SOFFIT,  
PENDANT SOFFIT  
AND WALL-MOUNTED LUMINAIRE  
STRUCTURE INSTALLATIONS)**

NO SCALE

RSP ES-9E DATED OCTOBER 19, 2018 SUPERSEDES STANDARD PLAN ES-9E  
DATED MAY 31, 2018 - PAGE 539 OF THE STANDARD PLANS BOOK DATED 2018.

**REVISED STANDARD PLAN RSP ES-9E**