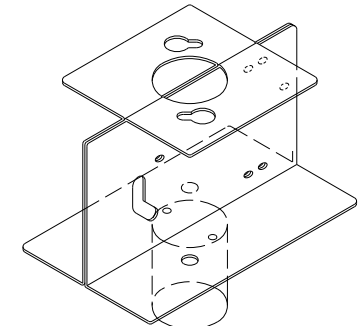


DIST	COUNTY	ROUTE	POST MILES TOTAL PROJECT	SHEET NO.	TOTAL SHEETS

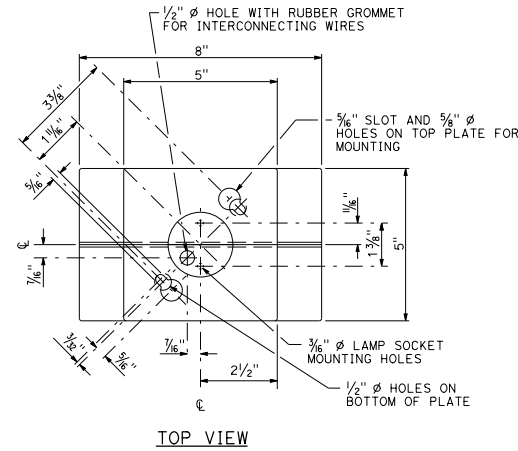
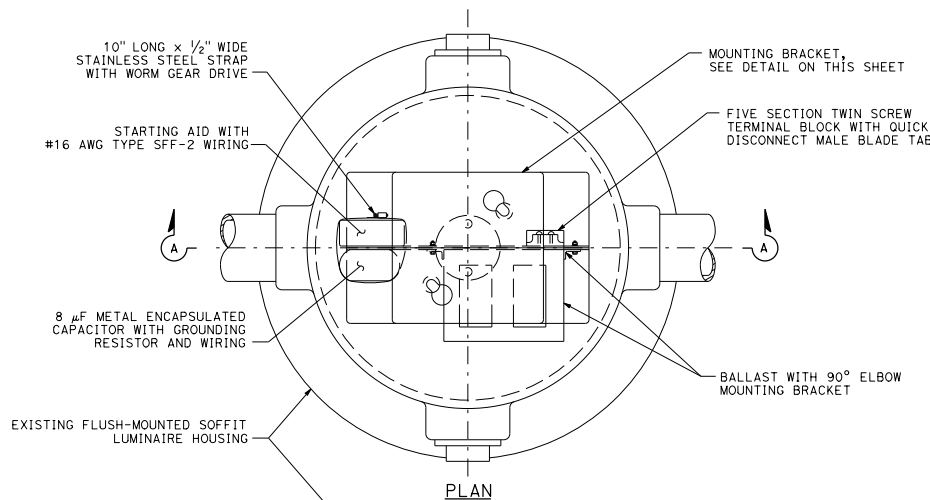
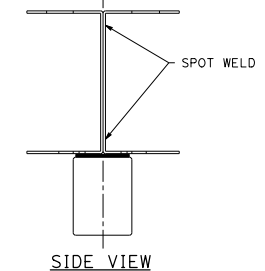
H.R.F.
 REGISTERED ELECTRICAL ENGINEER
 Hamid Zolfaghari
 No. E15636
 Exp. 12-31-19
 ELECTRICAL

October 19, 2018
 PLANS APPROVAL DATE
 THE STATE OF CALIFORNIA OR ITS OFFICERS OR AGENTS SHALL NOT BE RESPONSIBLE FOR THE ACCURACY OR COMPLETENESS OF SCANNED COPIES OF THIS PLAN SHEET.

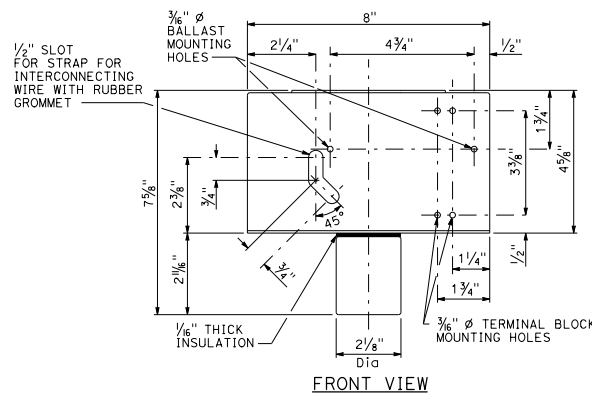
TO ACCOMPANY PLANS DATED _____



PREFORM TWO SHEETS 1/16" MILD STEEL AS SHOWN, SPOTWELD TOGETHER IN EACH CORNER WITH FOUR SPOTWELDS.

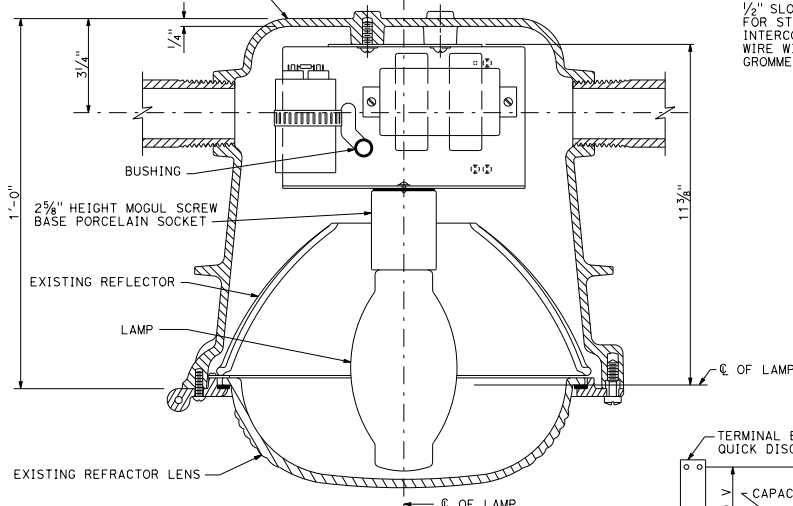


TOP VIEW



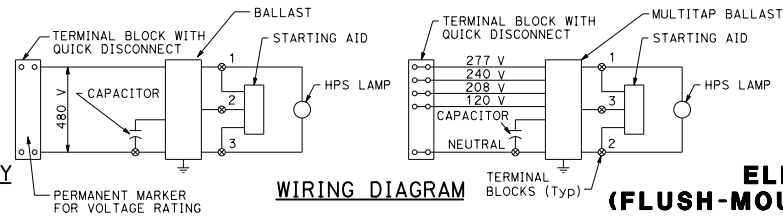
FRONT VIEW

MOUNTING BRACKET DETAILS



SECTION A-A

FLUSH-MOUNTED SOFFIT LUMINAIRE ASSEMBLY



WIRING DIAGRAM

NOTE:
 1. Use No. 8 Ø machine screws, lockwashers and nuts for mounting ballast and terminal strips.

STATE OF CALIFORNIA
 DEPARTMENT OF TRANSPORTATION
**ELECTRICAL SYSTEMS
 (FLUSH-MOUNTED SOFFIT LUMINAIRE
 DETAILS)**

NO SCALE
 RSP ES-9F DATED OCTOBER 19, 2018 SUPERSEDES STANDARD PLAN ES-9F
 DATED MAY 31, 2018 - PAGE 540 OF THE STANDARD PLANS BOOK DATED 2018.

REVISED STANDARD PLAN RSP ES-9F

2018 REVISED STANDARD PLAN RSP ES-9F