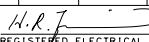


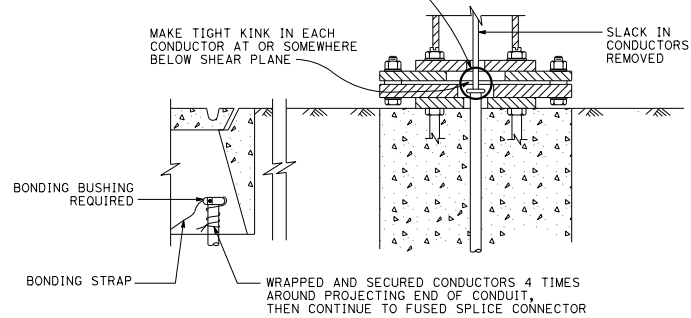
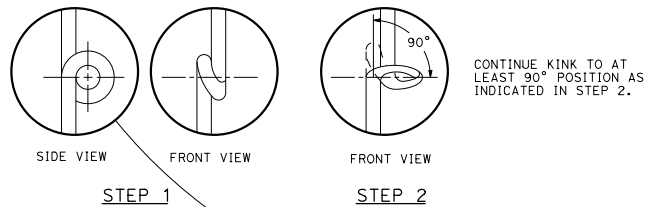
DIST	COUNTY	ROUTE	POST MILES TOTAL PROJECT	SHEET NO.	TOTAL SHEETS

  
 REGISTERED ELECTRICAL ENGINEER  
 October 19, 2018  
 PLANS APPROVAL DATE  
 THE STATE OF CALIFORNIA OR ITS OFFICERS OR AGENTS SHALL NOT BE RESPONSIBLE FOR THE ACCURACY OR COMPLETENESS OF SCANNED COPIES OF THIS PLAN SHEET.

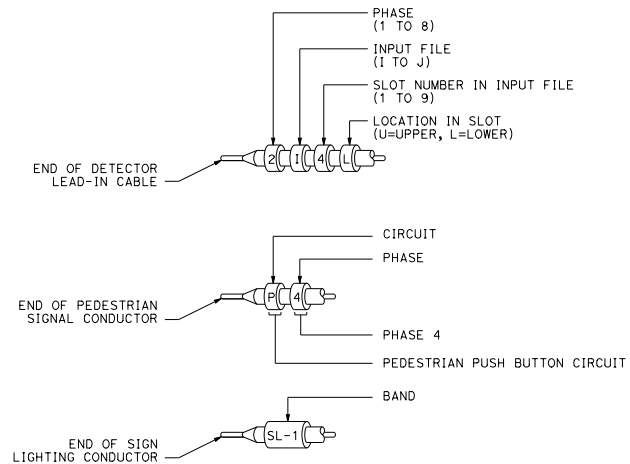
REGISTERED PROFESSIONAL ENGINEER  
Hamid Zolfaghari  
No. E15636  
Exp. 12-31-19  
ELECTRICAL  
STATE OF CALIFORNIA

TO ACCOMPANY PLANS DATED \_\_\_\_\_

2018 REVISED STANDARD PLAN RSP ES-13B



**KINKING DETAIL FOR  
SLIP BASE STANDARDS  
DETAIL A**



**TYPICAL BANDING DETAILS  
DETAIL B**

STATE OF CALIFORNIA  
 DEPARTMENT OF TRANSPORTATION  
**ELECTRICAL SYSTEMS  
 (KINKING AND BANDING DETAIL)**

NO SCALE

RSP ES-13B DATED OCTOBER 19, 2018 SUPERSEDES STANDARD PLAN ES-13B  
DATED MAY 31, 2018 - PAGE 545 OF THE STANDARD PLANS BOOK DATED 2018.

**REVISED STANDARD PLAN RSP ES-13B**