

NOTES:

1. Sheet metal shall be 1/8".
2. Welds shall be continuous.
3. Powder coat all internal and external surfaces black.
4. The door frame shall utilize two gas spring lift arms and two latching devices to maintain an open position.
5. See Wiring Notes and Symbols on Revised Standard Plan RSP ES-14B, Detail A.

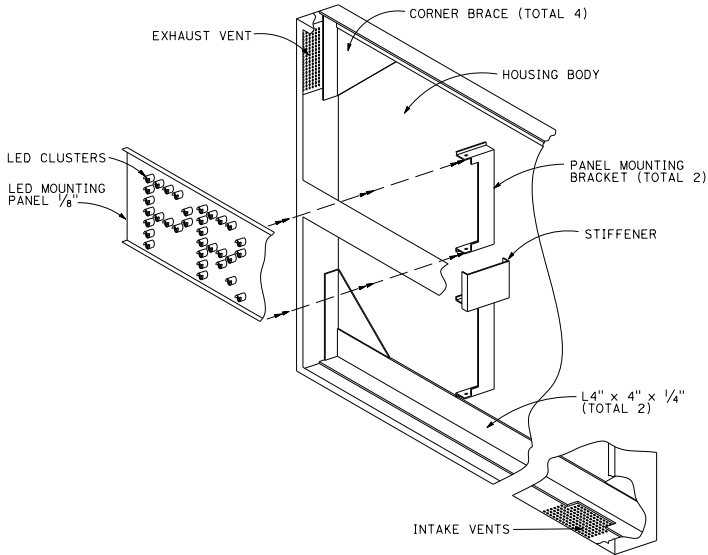
DIST	COUNTY	ROUTE	POST MILES TOTAL PROJECT	SHEET NO.	TOTAL SHEETS

H.R.F.
 REGISTERED ELECTRICAL ENGINEER
 Hamid Zolfaghari
 No. E15636
 Exp. 12-31-19
 ELECTRICAL
 STATE OF CALIFORNIA

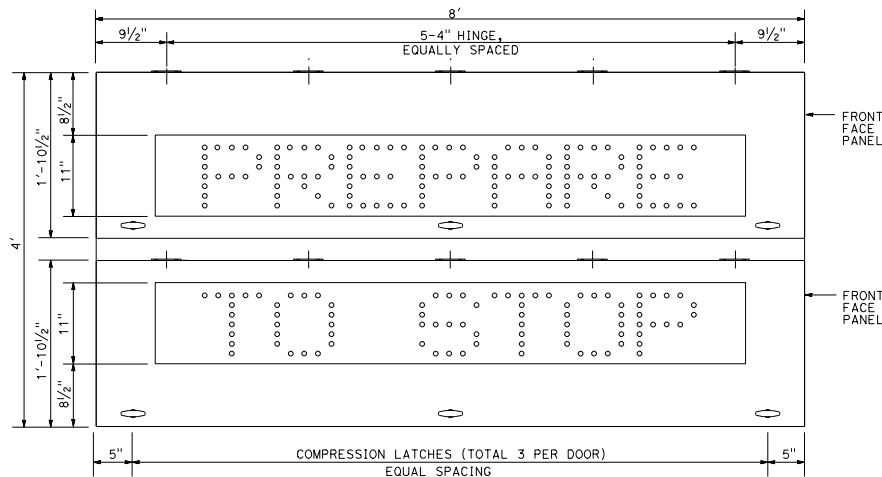
October 19, 2018
 PLANS APPROVAL DATE
 THE STATE OF CALIFORNIA OR ITS OFFICERS OR AGENTS SHALL NOT BE RESPONSIBLE FOR THE ACCURACY OR COMPLETENESS OF SCANNED COPIES OF THIS PLAN SHEET.

TO ACCOMPANY PLANS DATED _____

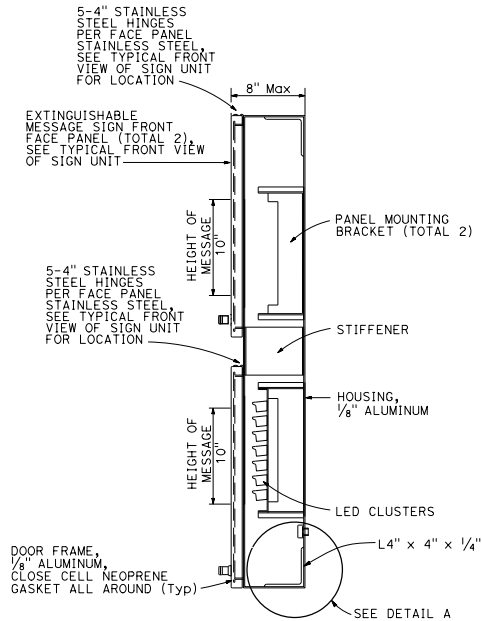
2018 REVISED STANDARD PLAN RSP ES-14A



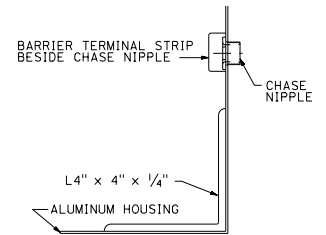
ISOMETRIC VIEW



TYPICAL FRONT VIEW OF SIGN UNIT



CROSS-SECTION OF SIGN



DETAIL A

STATE OF CALIFORNIA
DEPARTMENT OF TRANSPORTATION

**ELECTRICAL SYSTEMS
(EXTINGUISHABLE MESSAGE SIGN
10\"/>**

NO SCALE

RSP ES-14A DATED OCTOBER 19, 2018 SUPERSEDES STANDARD PLAN ES-14A
DATED MAY 31, 2018 - PAGE 546 OF THE STANDARD PLANS BOOK DATED 2018.

REVISED STANDARD PLAN RSP ES-14A