


|      |        |       |                          |           |              |
|------|--------|-------|--------------------------|-----------|--------------|
| DIST | COUNTY | ROUTE | POST MILES TOTAL PROJECT | SHEET NO. | TOTAL SHEETS |
|      |        |       |                          |           |              |

  
 REGISTERED ELECTRICAL ENGINEER  
 October 19, 2018  
 PLANS APPROVAL DATE  
 THE STATE OF CALIFORNIA OR ITS OFFICERS OR AGENTS SHALL NOT BE RESPONSIBLE FOR THE ACCURACY OR COMPLETENESS OF SCANNED COPIES OF THIS PLAN SHEET.

REGISTERED PROFESSIONAL ENGINEER  
 Hamid Zolfaghari  
 No. E15636  
 Exp. 12-31-19  
 ELECTRICAL  
 STATE OF CALIFORNIA

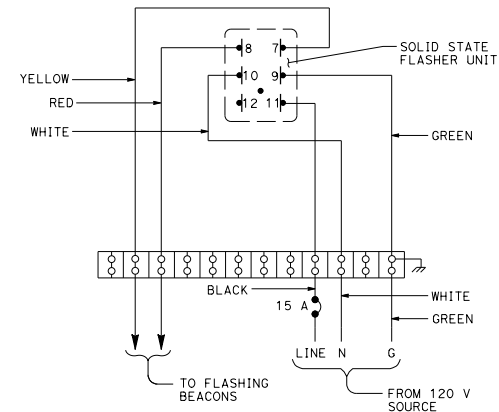
TO ACCOMPANY PLANS DATED \_\_\_\_\_

THE FLASHER SHALL MATE WITH A CINCH-JONES SOCKET S-406-SB OR EQUAL AND CONNECTED AS FOLLOWS:

| PIN | CIRCUIT        | PIN | CIRCUIT  |
|-----|----------------|-----|----------|
| 7   | LOAD           | 10  | NEUTRAL  |
| 8   | LOAD           | 11  | LINE     |
| 9   | CHASSIS GROUND | 12  | NOT USED |

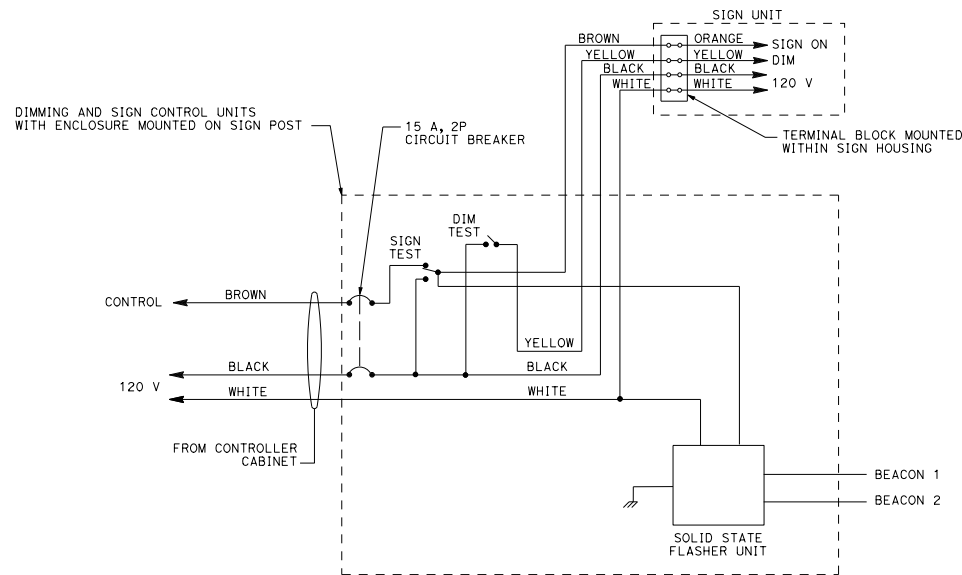


**CONNECTOR SOCKET  
SOLID STATE FLASHER UNIT**



**WIRING DIAGRAM  
FLASHING BEACON CONTROL ASSEMBLY**

DETAIL B



**WIRING DIAGRAM  
EXTINGUISHABLE MESSAGE SIGN**

DETAIL A

STATE OF CALIFORNIA  
DEPARTMENT OF TRANSPORTATION  
**ELECTRICAL SYSTEMS  
(EMS AND FBCA  
WIRING DIAGRAMS)**

NO SCALE

RSP ES-14B DATED OCTOBER 19, 2018 SUPERSEDES STANDARD PLAN ES-14B  
DATED MAY 31, 2018 - PAGE 547 OF THE STANDARD PLANS BOOK DATED 2018.

**REVISED STANDARD PLAN RSP ES-14B**

2018 REVISED STANDARD PLAN RSP ES-14B