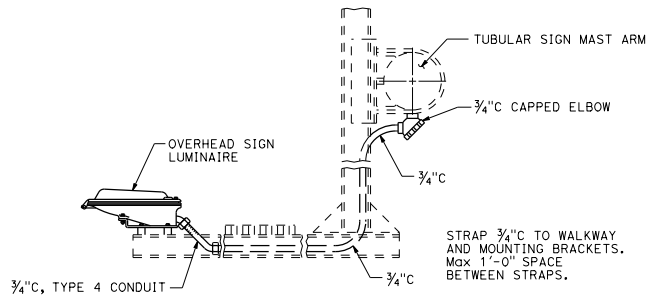


DIST	COUNTY	ROUTE	POST MILES TOTAL PROJECT	SHEET NO.	TOTAL SHEETS

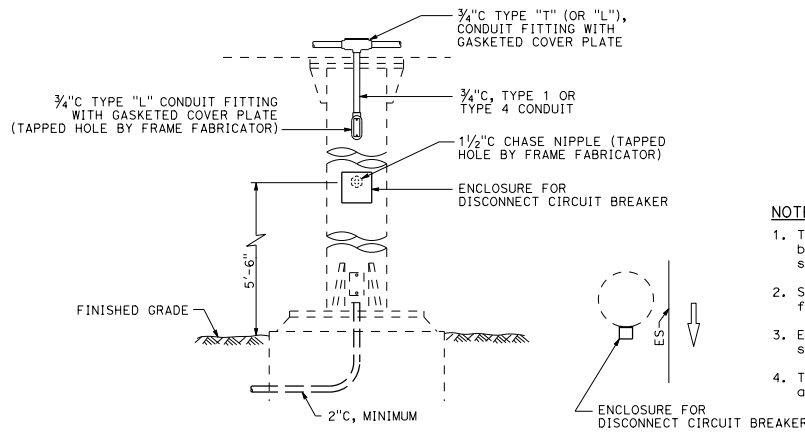
*H.R.F.*  
 REGISTERED ELECTRICAL ENGINEER  
 Hamid Zolfaghari  
 No. E15636  
 Exp. 12-31-19  
 REGISTERED PROFESSIONAL ENGINEER  
 ELECTRICAL  
 STATE OF CALIFORNIA

October 19, 2018  
 PLANS APPROVAL DATE  
THE STATE OF CALIFORNIA OR ITS OFFICERS OR AGENTS SHALL NOT BE RESPONSIBLE FOR THE ACCURACY OR COMPLETENESS OF SCANNED COPIES OF THIS PLAN SHEET.



**TYPICAL SIGN ILLUMINATION EQUIPMENT  
INSTALLATION FOR OVERHEAD SIGNS TUBULAR**

DETAIL A



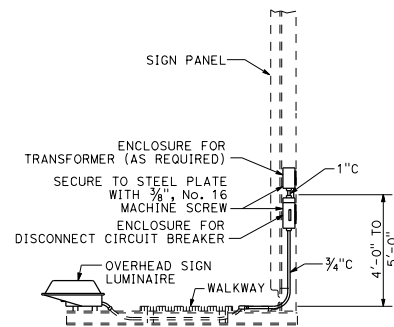
**TYPICAL SIGN ILLUMINATION EQUIPMENT  
INSTALLATION FOR OVERHEAD SIGNS ROUND POST**

DETAIL B

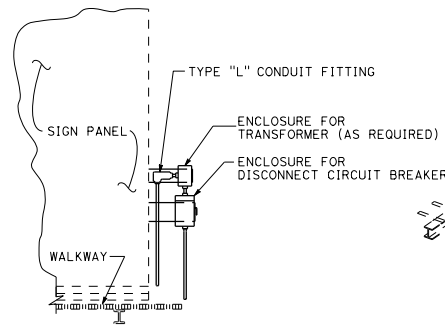
**NOTES:**

1. Type 4 conduit shall be secured to the nearest walkway bracket using one-hole galvanized malleable iron or steel straps and brass machine screws tapped into the bracket.
2. See Overhead Signs Standard Plans for overhead signs and frame juncture details for photoelectric unit installation.
3. Enclosures and straps shall be secured by 3/8" maximum size screws.
4. The contactor and test switch enclosures shall be readily accessible from the sign walkway.

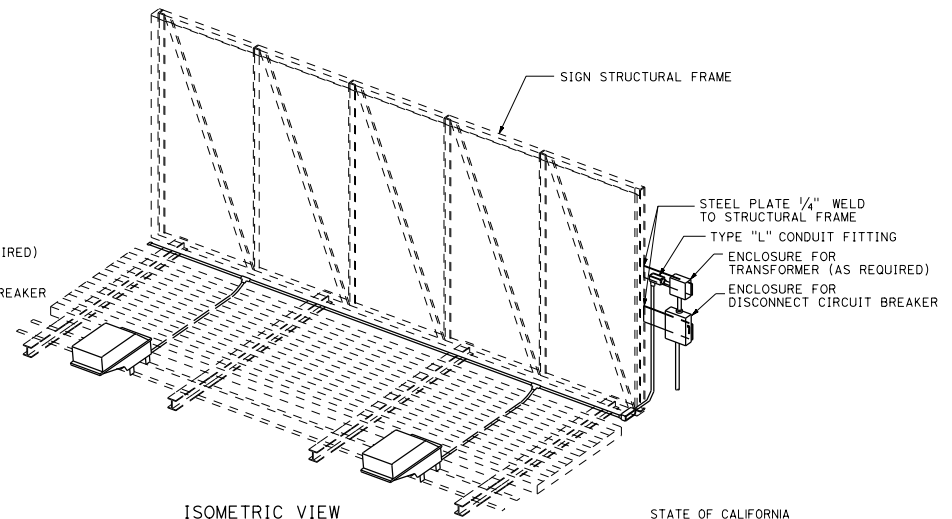
TO ACCOMPANY PLANS DATED \_\_\_\_\_



SIDE VIEW



FRONT VIEW



ISOMETRIC VIEW

**TYPICAL SIGN ILLUMINATION EQUIPMENT  
INSTALLATION FOR OVERHEAD SIGNS  
BRIDGE MOUNTED**

DETAIL C

See Note 4

STATE OF CALIFORNIA  
 DEPARTMENT OF TRANSPORTATION  
**ELECTRICAL SYSTEMS  
 (SIGN ILLUMINATION EQUIPMENT)**

NO SCALE

RSP ES-15C DATED OCTOBER 19, 2018 SUPERSEDES STANDARD PLAN ES-15C  
 DATED MAY 31, 2018 - PAGE 550 OF THE STANDARD PLANS BOOK DATED 2018.

**REVISED STANDARD PLAN RSP ES-15C**

2018 REVISED STANDARD PLAN RSP ES-15C