

DIST	COUNTY	ROUTE	POST MILES TOTAL PROJECT	SHEET NO.	TOTAL SHEETS

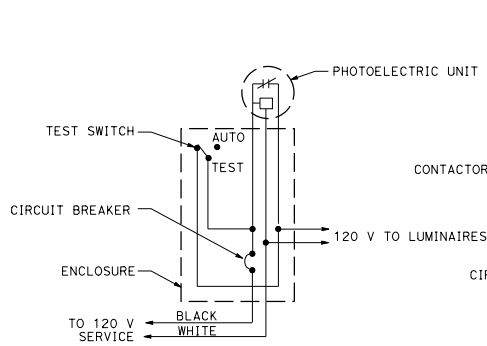
*H.R.F.*  
REGISTERED ELECTRICAL ENGINEER  
Hamid Zolfaghari  
No. E15636  
PLANS APPROVAL DATE  
October 19, 2018  
Exp. 12-31-19  
ELECTRICAL  
STATE OF CALIFORNIA

THE STATE OF CALIFORNIA OR ITS OFFICERS OR AGENTS SHALL NOT BE RESPONSIBLE FOR THE ACCURACY OR COMPLETENESS OF SCANNED COPIES OF THIS PLAN SHEET.

TO ACCOMPANY PLANS DATED \_\_\_\_\_

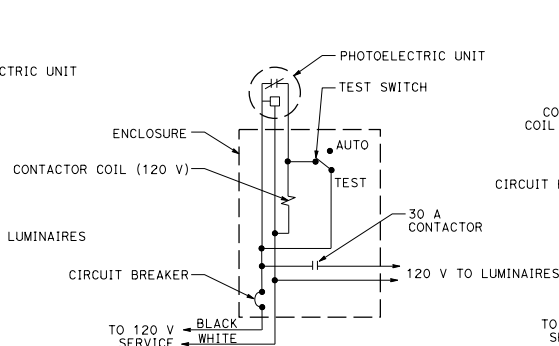
**NOTE:**

1. Type SC1A, SC2A, SC3A controls are similar to Types SC1, SC2 and SC3 controls respectively except test switch and wiring are not required.



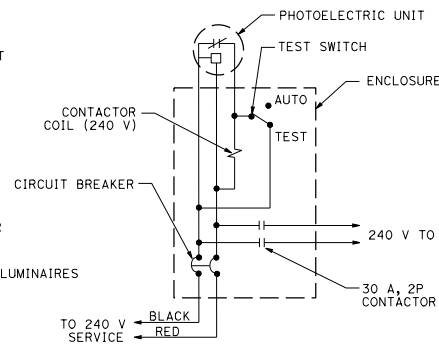
**TYPE LC1 CONTROL**

For 120 V unswitched circuit with no more than 1000 W load.



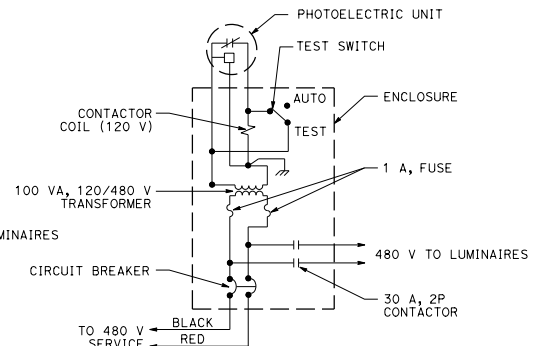
**TYPE LC2 CONTROL**

For 120 V unswitched circuit



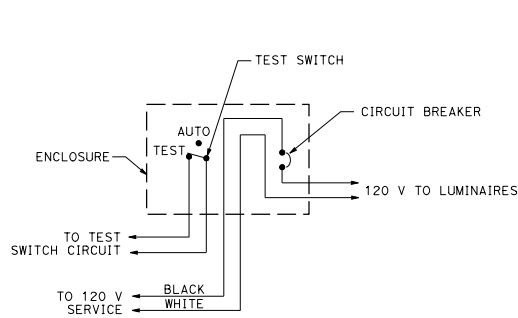
**TYPE LC3 CONTROL**

For 240 V unswitched circuits



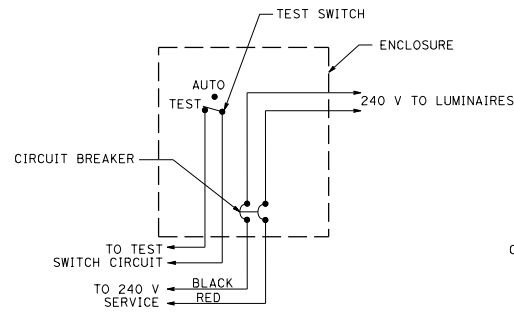
**TYPE LC4 CONTROL**

For 480 V unswitched circuits



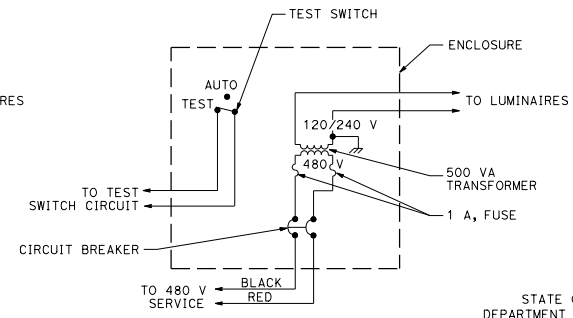
**TYPE SC1 CONTROL**

For 120 V switched circuit, see Note 1 for Type SC1A



**TYPE SC2 CONTROL**

For 240 V switched circuit, see Note 1 for Type SC2A



**TYPE SC3 CONTROL**

For 480 V switched sign circuit, see Note 1 for Type SC3A

STATE OF CALIFORNIA  
DEPARTMENT OF TRANSPORTATION  
**ELECTRICAL SYSTEMS  
(LIGHTING AND SIGN  
ILLUMINATION CONTROL)**

NO SCALE

RSP ES-15D DATED OCTOBER 19, 2018 SUPERSEDES STANDARD PLAN ES-15D  
DATED MAY 31, 2018 - PAGE 551 OF THE STANDARD PLANS BOOK DATED 2018.

**REVISED STANDARD PLAN RSP ES-15D**

2018 REVISED STANDARD PLAN RSP ES-15D