

Dist	COUNTY	ROUTE	POST MILES TOTAL PROJECT	SHEET NO.	TOTAL SHEETS

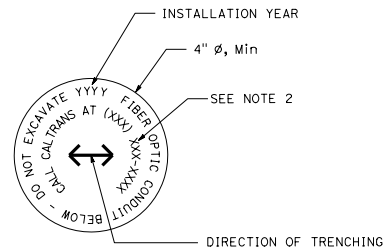
*H. R. Z.*  
 REGISTERED ELECTRICAL ENGINEER  
 October 19, 2018  
 PLANS APPROVAL DATE  
 THE STATE OF CALIFORNIA OR ITS OFFICERS OR AGENTS SHALL NOT BE RESPONSIBLE FOR THE ACCURACY OR COMPLETENESS OF SCANNED COPIES OF THIS PLAN SHEET.

Hamid Zolfaghari  
 No. E15636  
 Exp. 12-31-19  
 REGISTERED PROFESSIONAL ENGINEER  
 ELECTRICAL  
 STATE OF CALIFORNIA

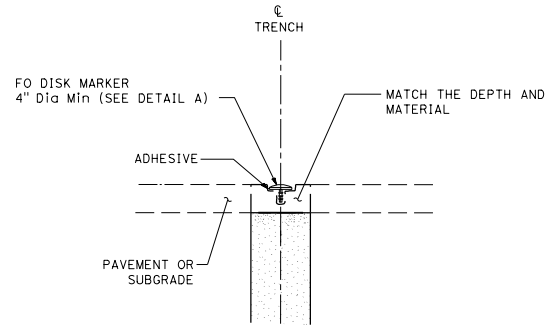
TO ACCOMPANY PLANS DATED \_\_\_\_\_

**NOTES:**

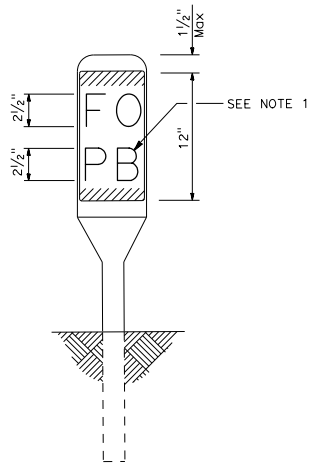
1. "PB" for Pull Box or "VT" for Vault.
2. Telephone number as specified.
3. 1" black text.
4. 1/2" black text.



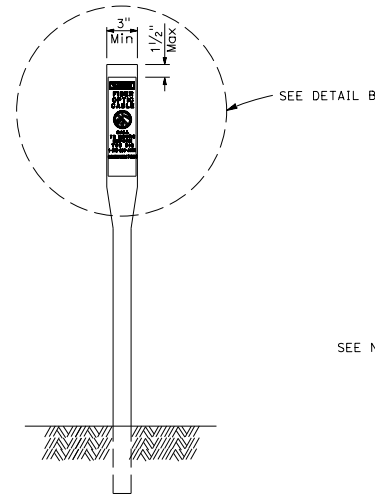
**DISK MARKER ETCHING  
DETAIL A**



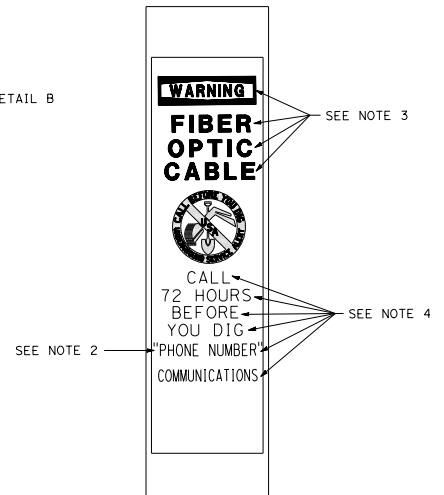
**FIBER OPTIC MARKER  
FOR PAVED AREAS**



**FIBER OPTIC MARKER  
FOR VAULTS AND PULL BOXES**



**FIBER OPTIC MARKER  
FOR UNPAVED AREAS**



**DETAIL B**

STATE OF CALIFORNIA  
 DEPARTMENT OF TRANSPORTATION  
**ELECTRICAL SYSTEMS  
 (FIBER OPTIC MARKER DETAILS)**

NO SCALE

RSP ES-17A DATED OCTOBER 19, 2018 SUPERSEDES STANDARD PLAN ES-17A  
 DATED MAY 31, 2018 - PAGE 556 OF THE STANDARD PLANS BOOK DATED 2018.

**REVISED STANDARD PLAN RSP ES-17A**

2018 REVISED STANDARD PLAN RSP ES-17A