

LEGEND

- Wood Pole No Attachments
- A Wood Pole with Attachments
- OH- Overhead Bundle

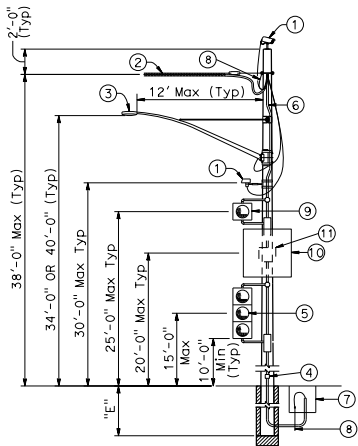
POLE SELECTION TABLE

OVERHEAD BUNDLE HORIZONTAL SPAN (Max)	MAXIMUM d_p	CASE 1N				CASE 2N				CASE 3N				CASE 4N				CASE 5N
		1"	1.5"	2.0"	2.5"	1"	1.5"	2.0"	2.5"	1.0"	1.5"	2.0"	2.5"	1"	1.5"	2.0"	2.5"	
50'	MINIMUM POLE CLASS	H-1	H-2	H-2	H-2	4	3	2	1	H-2	H-2	H-3	H-3	H-4	H-4	H-4	H-5	CLASS 1 E = 10'
100'	POLE EMBEDMENT (E)	11'				10'				11'				12'				
150'	MINIMUM POLE CLASS	H-2	H-3	H-4	H-5	1	H-1	H-2	H-3	H-4	H-5	H-5	H-6	H-5	H-5	H-6		
200'	POLE EMBEDMENT (E)	12'				11'				12'				12'				
	MINIMUM POLE CLASS	H-4	H-5	H-6		H-1	H-2	H-3	H-5	H-6			H-6					
	POLE EMBEDMENT (E)	12'				12'				12'				12'				
	MINIMUM POLE CLASS	H-5	H-6			H-2	H-3	H-5										
	POLE EMBEDMENT (E)	12'				12'				12'				12'				

- ① Camera or vehicle detection system
- ② Overhead bundle consisting of a 3/8" ϕ messenger wire, overhead conductors, and lashing wire
- ③ Luminaire with mast arm
- ④ Pedestrian push button or accessible push button
- ⑤ Signal face with 3 indications or single sheet sign panel (10 SOFT Max)
- ⑥ Riser with weather head as required
- ⑦ Pull box as required
- ⑧ Grounding as required
- ⑨ Single flashing beacon or single sheet sign panel (4 SOFT Max)
- ⑩ Single sheet sign panel (4' x 4' Max) or signal face with 3 indications
- ⑪ Flashing beacon control assembly
- ⑫ Enclosure, 26"(W) x 56"(H) x 12"(D) Max dimensions. Max weight including batteries, 450 lbs
- ⑬ 25' SOFT Max total photovoltaic panels mounted as shown as required
- ⑭ 2-12" flashing beacons

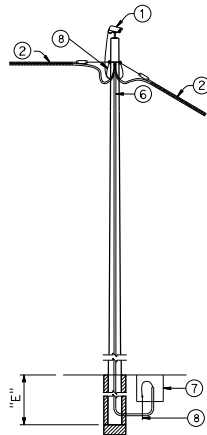
NOTES:

1. In addition to other restrictions on maximum horizontal span, this horizontal span must not exceed 100'.
2. Cases 1N, 3N and 4N may substitute the attachments shown in Case 5N if the photovoltaic panel is not included.
3. For Case 1N without an overhead bundle (item ②) use minimum pole class H-1 with E=11'.

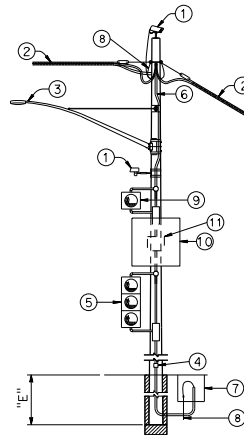


**CASE 1N
POLE AT DEAD END
WITH ATTACHMENTS**

See Note 2

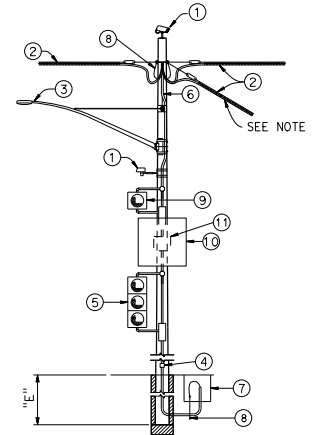


**CASE 2N
POLE AT TANGENT
WITHOUT ATTACHMENTS**



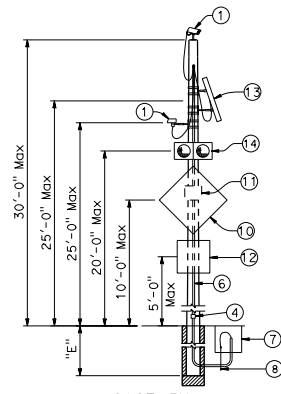
**CASE 3N
POLE AT TANGENT OR CORNER
WITH ATTACHMENTS**

See Note 2



**CASE 4N
POLE AT JUNCTION
WITH ATTACHMENTS**

See Note 2



**CASE 5N
POLE WITHOUT OVERHEAD BUNDLE
WITH ATTACHMENTS**

STATE OF CALIFORNIA
DEPARTMENT OF TRANSPORTATION


**TEMPORARY WOOD POLES
NON-GUYED - NO SIGNALS ON SPANS**

NO SCALE

RSP ES-188 DATED OCTOBER 19, 2018 SUPERSEDES STANDARD PLAN ES-188
DATED MAY 31, 2018 - PAGE 558 OF THE STANDARD PLANS BOOK DATED 2018.

REVISED STANDARD PLAN RSP ES-188

Dist#	COUNTY	ROUTE	POST MILES TOTAL PROJECT	SHEET NO.	TOTAL SHEETS


 REGISTERED CIVIL ENGINEER
 No. CS1793
 Exp. 3-31-20
 CIVIL
 STATE OF CALIFORNIA

October 19, 2018
PLANS APPROVAL DATE

THE STATE OF CALIFORNIA OR ITS OFFICERS OR AGENTS SHALL NOT BE RESPONSIBLE FOR THE ACCURACY OR COMPLETENESS OF SCANNED COPIES OF THIS PLAN SHEET.

TO ACCOMPANY PLANS DATED _____