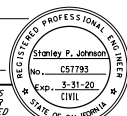
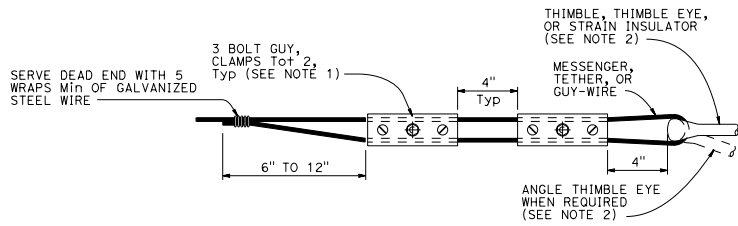
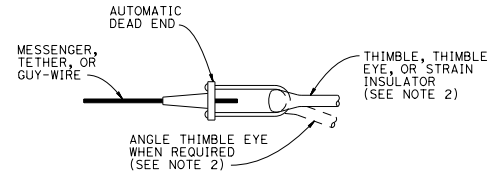


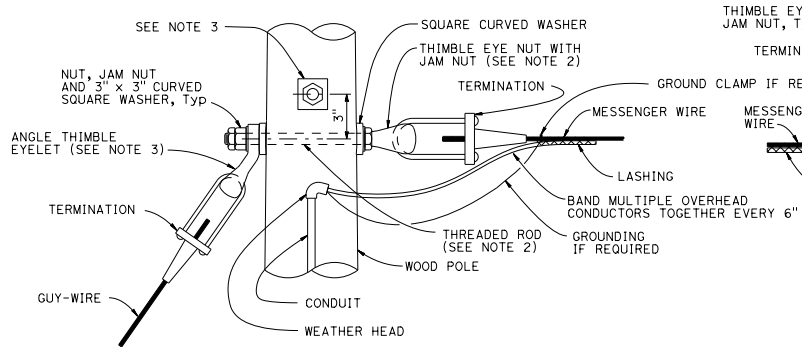
Dist	COUNTY	ROUTE	POST MILES TOTAL PROJECT	SHEET NO.	TOTAL SHEETS
					
REGISTERED CIVIL ENGINEER Stanley P. Johnson No. C61793 Exp. 3-31-20 CIVIL STATE OF CALIFORNIA					
October 19, 2018 PLANS APPROVAL DATE THE STATE OF CALIFORNIA OR ITS OFFICERS OR AGENTS SHALL NOT BE RESPONSIBLE FOR THE ACCURACY OR COMPLETENESS OF SCANNED COPIES OF THIS PLAN SHEET.					



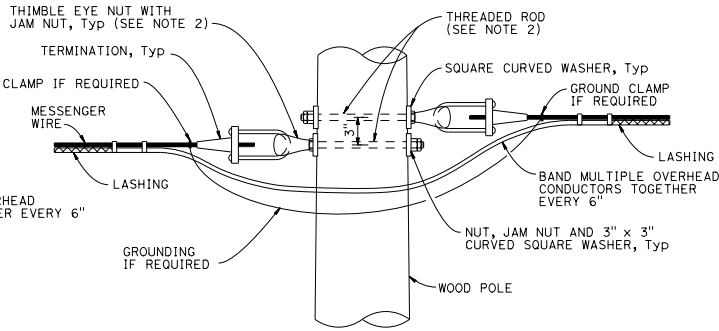
**ALTERNATIVE TERMINATION OF MESSENGER WIRES USING GUY CLAMPS**



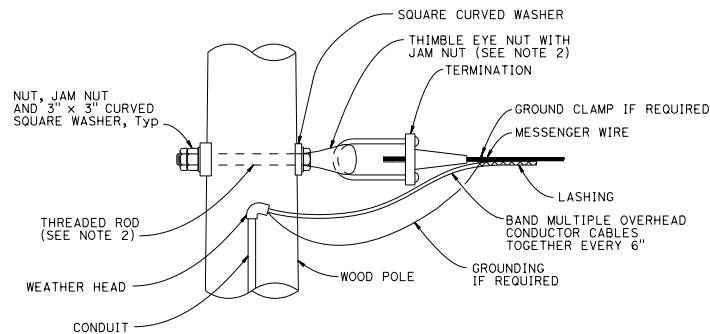
**TERMINATION OF WIRES USING AUTOMATIC DEAD END**



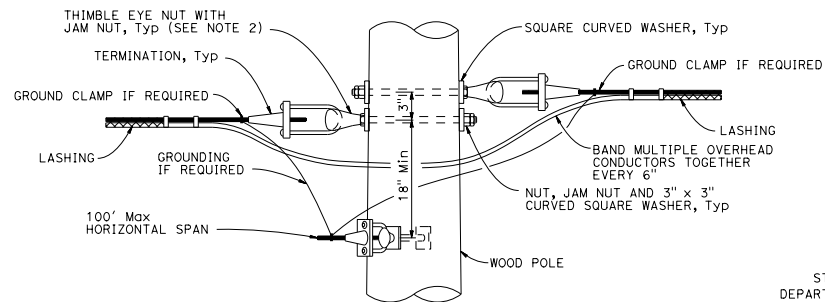
**POLE AT DEAD END WITH GUY-WIRE CONNECTION**



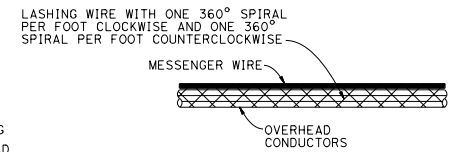
**POLE AT TANGENT OR CORNER CONNECTION**



**POLE AT DEAD END CONNECTION**

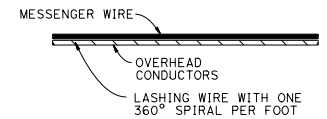


**POLE AT JUNCTION CONNECTION**



**DOUBLE LASHING DETAIL**

USE IF  $d_c$  IS GREATER THAN  $1/2$ "



**TYPICAL LASHING DETAIL**

USE IF  $d_c$  IS  $1/2$ " OR LESS

**NOTES:**

1. For guy wires use 3 clamps.
2. Use  $5/8$ "  $\phi$  except  $3/4$ "  $\phi$  at guyed wires
3. Install additional angle thimble eyelet at poles with two guy wires.

STATE OF CALIFORNIA  
DEPARTMENT OF TRANSPORTATION

**TEMPORARY WOOD POLES  
DETAILS No. 1**

NO SCALE

9RSP ES-19A DATED OCTOBER 19, 2018 SUPERSEDES STANDARD PLAN ES-19A  
DATED MAY 31, 2018 - PAGE 562 OF THE STANDARD PLANS BOOK DATED 2018.

**REVISED STANDARD PLAN RSP ES-19A**

2018 REVISED STANDARD PLAN RSP ES-19A