

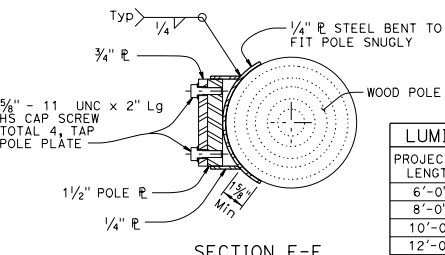
ELEVATION
DETAIL A
TIE-ROD AT LUMINAIRE ARM
SECTION A-A

- NOTES:**
1. Luminaire mast arms must be in compliance with Standard Plan ES-6D with noted modifications.
 2. Verify pole dimensions at tie-rod attachment height. Fabricate 9" flat bar with "L" dimension to maintain an open gap between flanges in finished installation.
 3. Not all screw heads and bolt heads are shown for clarity.
 4. Mast arm not shown for clarity.

Dist	COUNTY	ROUTE	POST MILES	SHEET TOTAL
			TOTAL PROJECT	NO. SHEETS

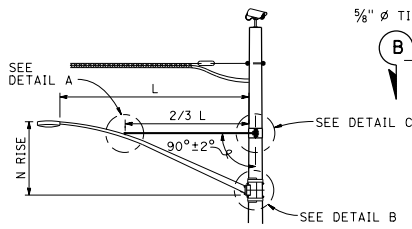
Stanley P. Johnson
 REGISTERED CIVIL ENGINEER
 October 19, 2018
 PLANS APPROVAL DATE
 THE STATE OF CALIFORNIA OR ITS OFFICERS OR AGENTS SHALL NOT BE RESPONSIBLE FOR THE ACCURACY OR COMPLETENESS OF SCANNED COPIES OF THIS PLAN SHEET.

TO ACCOMPANY PLANS DATED _____

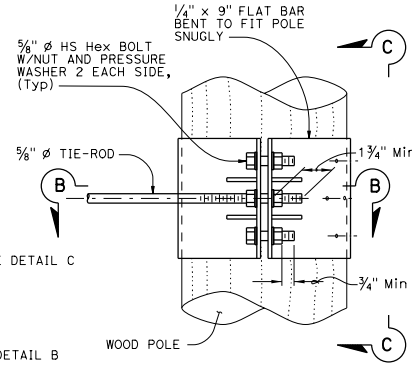


LUMINAIRE MAST ARM DATA			
PROJECTED LENGTH	N RISE AT POLE	MIN OD	NOMINAL THICKNESS
6'-0"	2'-0"±	3/4"	0.1196"
8'-0"	2'-6"±	3/2"	
10'-0"	3'-3"±	3 3/4"	
12'-0"	4'-3"±	3 3/4"	

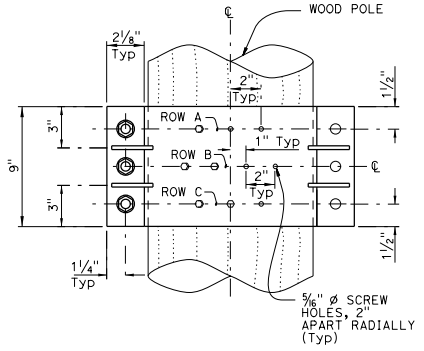
SECTION E-E



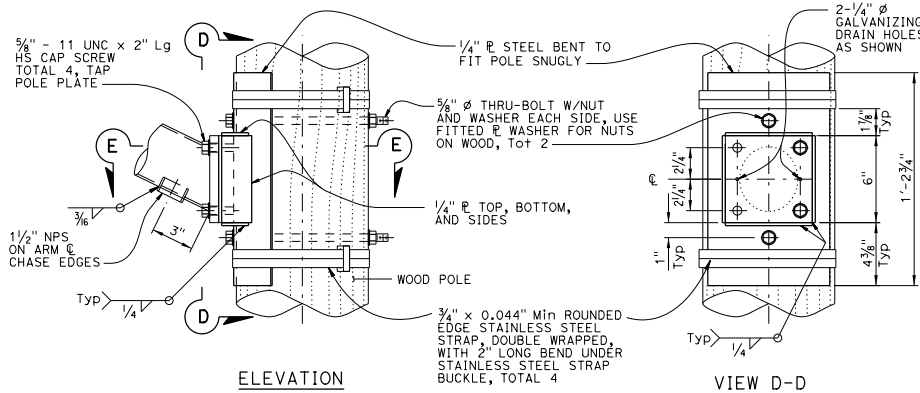
LUMINAIRE MAST ARM



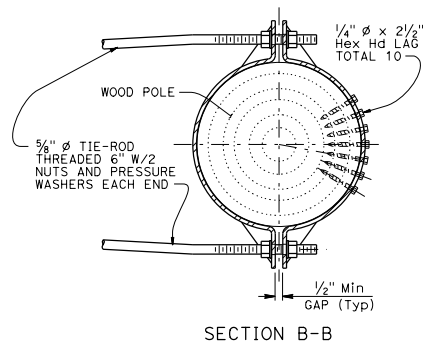
ELEVATION



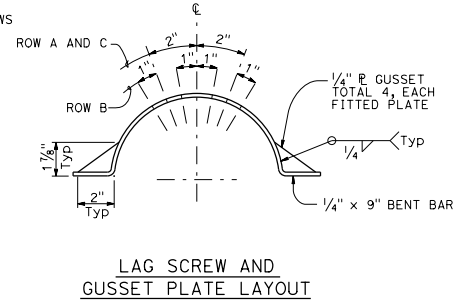
VIEW C-C



DETAIL B
ARM CONNECTION DETAILS



SECTION B-B



DETAIL C
TIE-ROD AT POLE

LAG SCREW AND GUSSET PLATE LAYOUT

STATE OF CALIFORNIA
DEPARTMENT OF TRANSPORTATION
TEMPORARY WOOD POLES
DETAILS No. 3
NO SCALE

9RSP ES-19C DATED OCTOBER 19, 2018 SUPERSEDES STANDARD PLAN ES-19C DATED MAY 31, 2018 - PAGE 564 OF THE STANDARD PLANS BOOK DATED 2018.

REVISED STANDARD PLAN RSP ES-19C

2018 REVISED STANDARD PLAN RSP ES-19C