

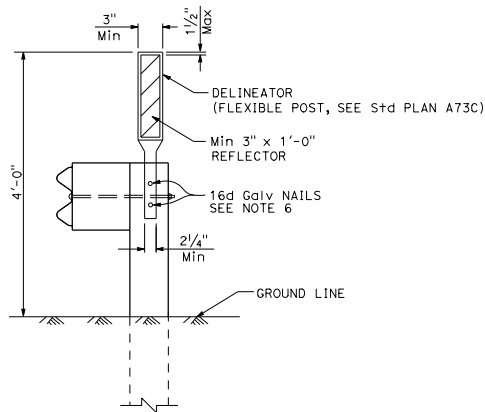
DIST	COUNTY	ROUTE	POST MILES TOTAL PROJECT	SHEET NO.	TOTAL SHEETS
<i>Randell D. Hiatt</i> REGISTERED CIVIL ENGINEER					
April 19, 2019 PLANS APPROVAL DATE					
No. C60200 Exp. 6-30-19					
<small>THE STATE OF CALIFORNIA OR ITS OFFICERS OR AGENTS SHALL NOT BE RESPONSIBLE FOR THE ACCURACY OR COMPLETENESS OF SCANNED COPIES OF THIS PLAN SHEET.</small>					



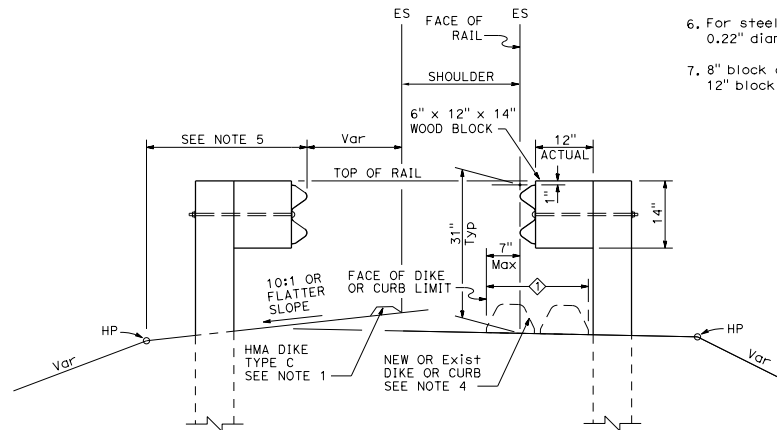
TO ACCOMPANY PLANS DATED \_\_\_\_\_

**NOTES:**

- When necessary to place dike more than 7" in front of face of MGS, only Type C dike may be used. For dike details, see Standard Plan A87B.
- For standard railing post embedment, see Standard Plan A77N3.
- MGS delineation to be used where shown on the Project Plans.
- When dike or curb is placed under MGS, the maximum height of the dike or curb shall be 6". Mountable dike should not be used. For dike and curb details, see Standard Plans A87A and A87B.
- For details of typical distance between the face of rail and hinge point, see Standard Plan A77N3.
- For steel line posts, use 1/4" - 20 self-tapping screws in 0.22" diameter holes or 1/4" bolts in 3/8" diameter holes.
- 8" block can be used with 4" or lower dike, or no dike. 12" block can be used with 6" or lower dike, or no dike.



**MGS DELINEATION**  
See Note 3



**DIKE POSITIONING**  
See Note 1

◇ PERMISSIBLE DIKE OR CURB  
PLACEMENT AREA

STATE OF CALIFORNIA  
DEPARTMENT OF TRANSPORTATION

**MIDWEST GUARDRAIL SYSTEM  
TYPICAL RAILING DELINEATION  
AND DIKE POSITIONING DETAILS**

NO SCALE

RSP A77N4 DATED APRIL 19, 2019 SUPERSEDES STANDARD PLAN A77N4  
DATED MAY 31, 2018 - PAGE 64 OF THE STANDARD PLANS BOOK DATED 2018.

**REVISED STANDARD PLAN RSP A77N4**

2018 REVISED STANDARD PLAN RSP A77N4