

DIST	COUNTY	ROUTE	POST MILES TOTAL PROJECT	SHEET NO.	TOTAL SHEETS

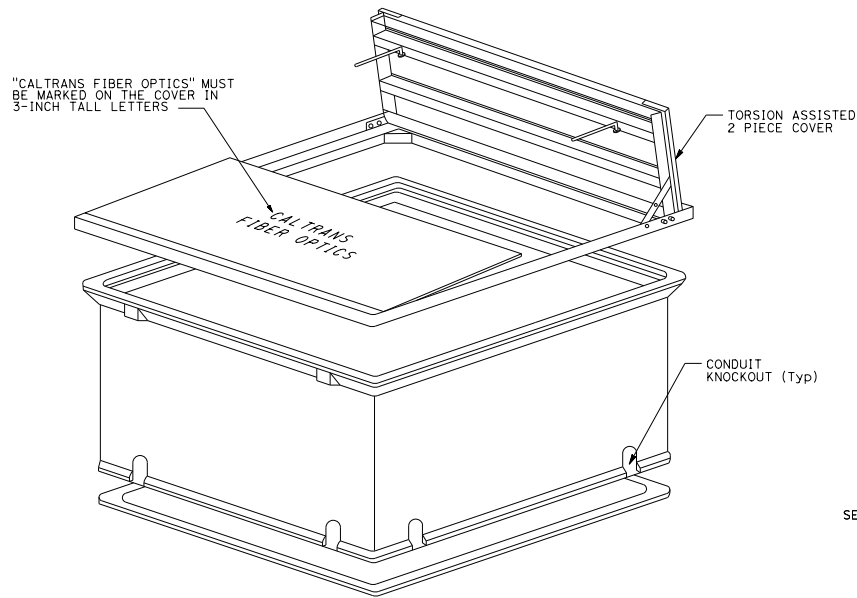
H.R.F.  
REGISTERED ELECTRICAL ENGINEER

April 19, 2019  
PLANS APPROVAL DATE

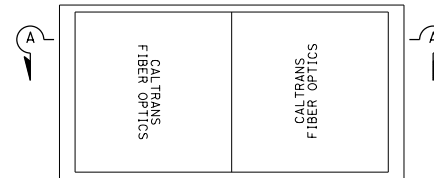
THE STATE OF CALIFORNIA OR ITS OFFICERS  
OR AGENTS SHALL NOT BE RESPONSIBLE FOR  
THE ACCURACY OR COMPLETENESS OF SCANNED  
COPIES OF THIS PLAN SHEET.

REGISTERED PROFESSIONAL ENGINEER  
Hamid  
Zolfaghari  
No. E15636  
Exp. 12-31-19  
ELECTRICAL  
STATE OF CALIFORNIA

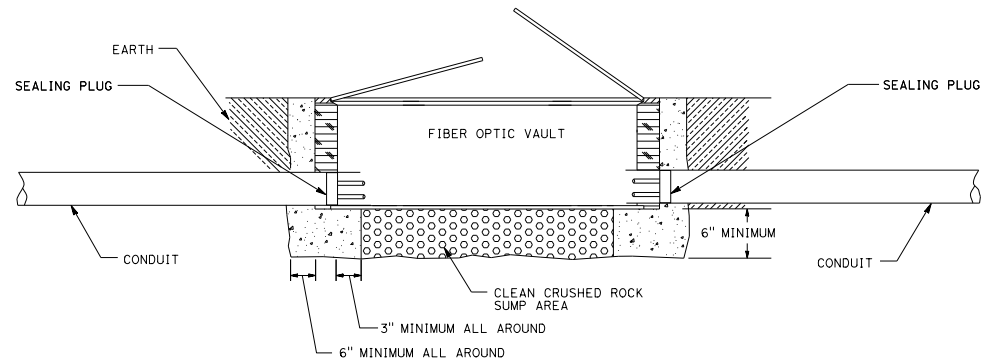
TO ACCOMPANY PLANS DATED \_\_\_\_\_



VAULT-ISOMETRIC VIEW



TOP VIEW



SECTION A-A

STATE OF CALIFORNIA  
DEPARTMENT OF TRANSPORTATION  
**ELECTRICAL SYSTEMS  
(VAULTS)**  
NO SCALE

RSP ES-8C DATED APRIL 19, 2019 SUPERSEDES RSP ES-8C DATED OCTOBER 19, 2018 AND  
STANDARD PLAN ES-8C DATED MAY 31, 2018 - PAGE 534 OF THE STANDARD PLANS BOOK DATED 2018.

**REVISED STANDARD PLAN RSP ES-8C**

2018 REVISED STANDARD PLAN RSP ES-8C