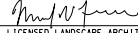
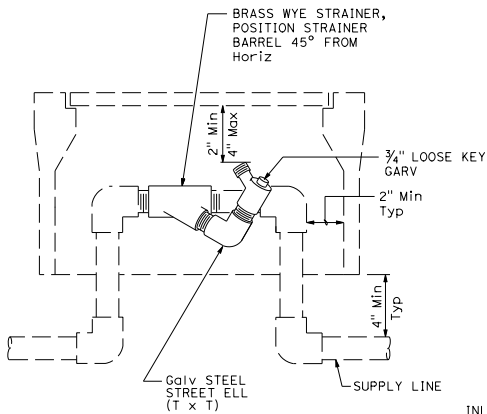
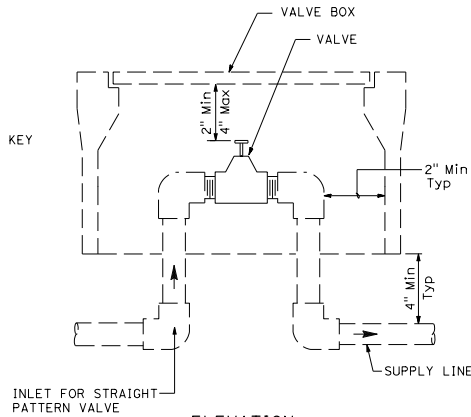


Dist	COUNTY	ROUTE	POST MILES TOTAL PROJECT	SHEET NO.	TOTAL SHEETS

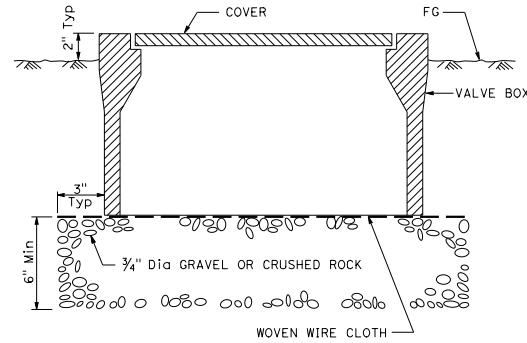

 LICENSED LANDSCAPE ARCHITECT
 April 19, 2019
 PLANS APPROVAL DATE
 THE STATE OF CALIFORNIA OR ITS OFFICERS OR AGENTS SHALL NOT BE RESPONSIBLE FOR THE ACCURACY OR COMPLETENESS OF SCANNED COPIES OF THIS PLAN SHEET.



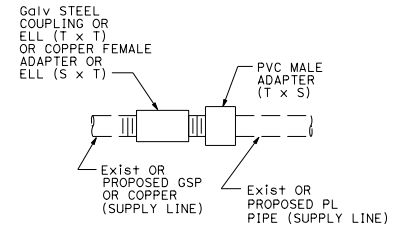
ELEVATION
WYE STRAINER ASSEMBLY



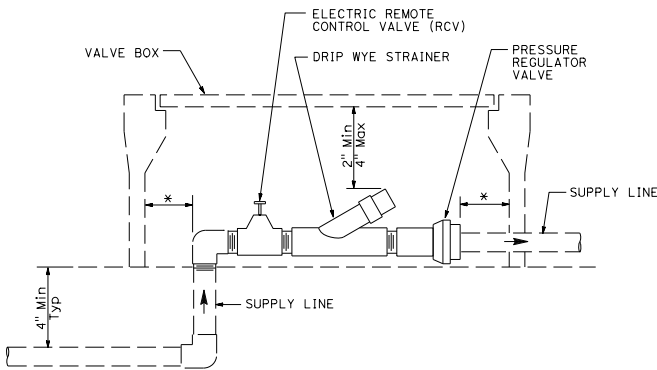
ELEVATION
VALVE



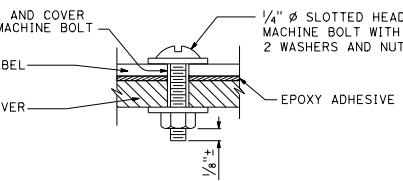
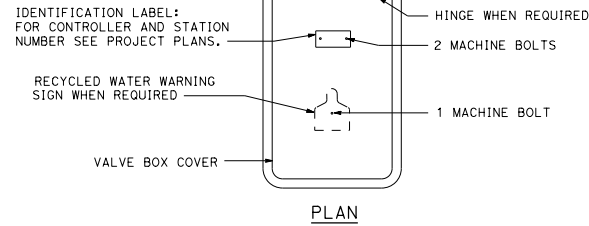
SECTION
VALVE BOX



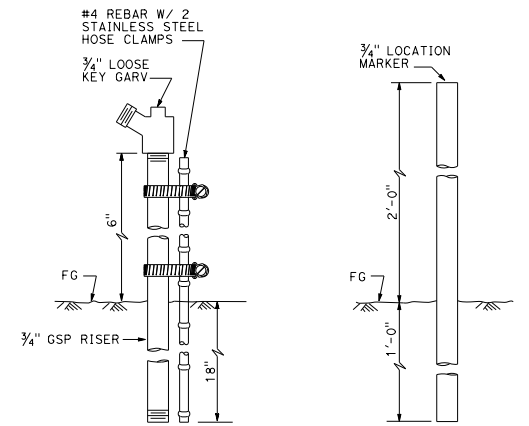
**GALVANIZED OR COPPER PIPE
CONNECTION TO PLASTIC PIPE**



ELEVATION
DRIP VALVE ASSEMBLY



SECTION
VALVE BOX IDENTIFICATION



ELEVATION
GARDEN VALVE ASSEMBLY

ELEVATION
LOCATION MARKER

STATE OF CALIFORNIA
DEPARTMENT OF TRANSPORTATION
LANDSCAPE DETAILS
NO SCALE

RSP H6 DATED APRIL 19, 2019 SUPERSEDES STANDARD PLAN H6
DATED MAY 31, 2018 - PAGE 271 OF THE STANDARD PLANS BOOK DATED 2018.

REVISED STANDARD PLAN RSP H6

2018 REVISED STANDARD PLAN RSP H6