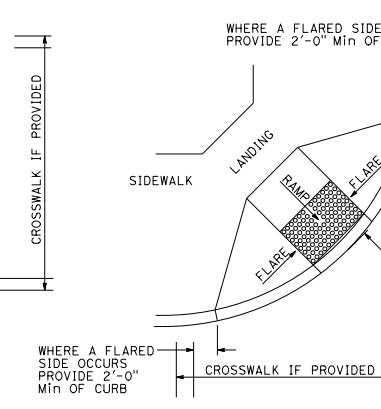
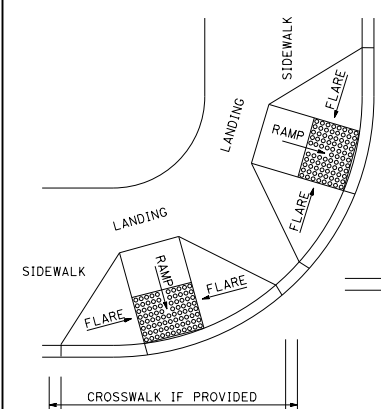
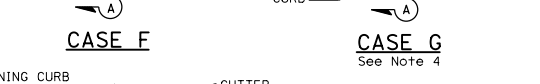
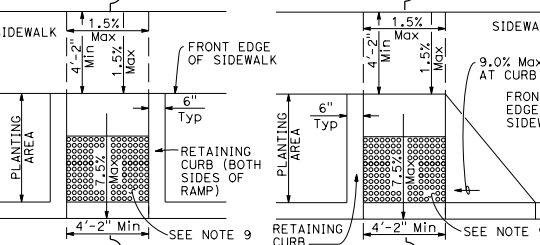
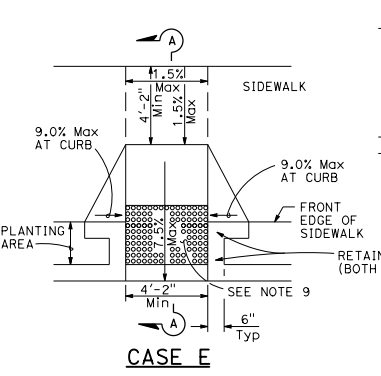
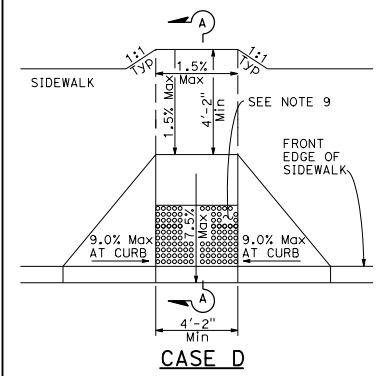
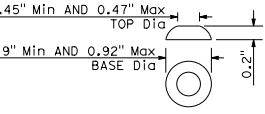
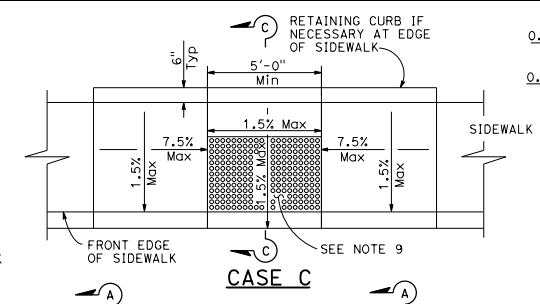
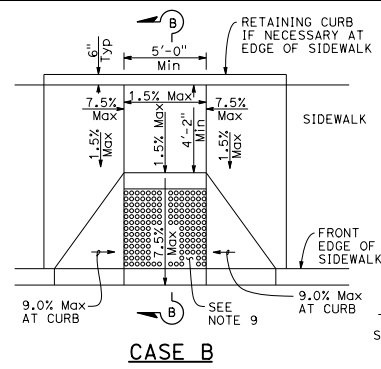
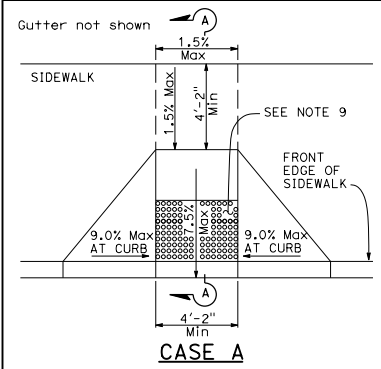


DIST	COUNTY	ROUTE	POST MILES TOTAL PROJECT	SHEET NO.	TOTAL SHEETS

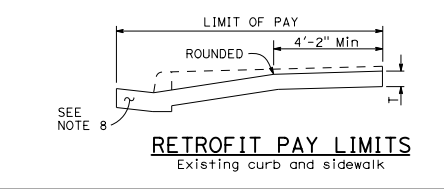
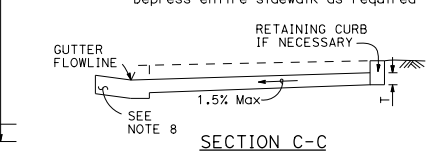
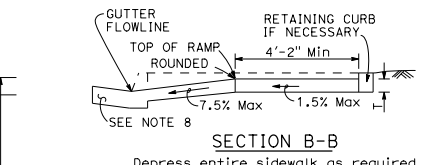
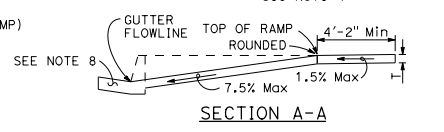
**Hector David Cordova**  
 REGISTERED CIVIL ENGINEER  
 No. C41957  
 Exp. 3-31-18  
 CIVIL  
 STATE OF CALIFORNIA

July 15, 2016  
 PLANS APPROVAL DATE  
 THE STATE OF CALIFORNIA OR ITS OFFICERS OR AGENTS SHALL NOT BE RESPONSIBLE FOR THE ACCURACY OR COMPLETENESS OF SCANNED COPIES OF THIS PLAN SHEET.

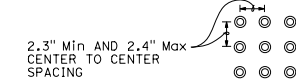


**TYPICAL TWO-RAMP CORNER INSTALLATION**  
See Note 1

**TYPICAL ONE-RAMP CORNER INSTALLATION**  
See Notes 1 and 3



- NOTES:**
- As site conditions dictate, Case A through Case G curb ramps may be used for corner installations similar to those shown in Detail A and Detail B. The case of curb ramps used in Detail A do not have to be the same. Case A through Case G curb ramps also may be used at mid block locations, as site conditions dictate.
  - If distance from curb to back of sidewalk is too short to accommodate ramp and 4'-2" platform (landing) as shown in Case A, the sidewalk may be depressed longitudinally as in Case B, or C or may be widened as in Case D.
  - When ramp is located in center of curb return, crosswalk configuration must be similar to that shown for Detail B.
  - As site conditions dictate, the retaining curb side and the flared side of the Case G ramp shall be constructed in reversed position.
  - If located on a curve, the sides of the ramp need not be parallel, but the minimum width of the ramp shall be 4'-2".
  - Side slope of ramp flares vary uniformly from a maximum of 9.0% at curb to conform with longitudinal sidewalk slope adjacent to top of the ramp, except in Case C and Case F.
  - The adjacent surfaces at transitions at curb ramps to walks, gutters, and streets shall be at the same level.
  - Counter slopes of adjoining gutters and road surfaces immediately adjacent to and within 24 inches of the curb ramp shall not be steeper than 1:20 (5.0%). Gutter pan slope shall not exceed 1" of depth for each 2'-0" of width.
  - Curb ramps shall have a detectable warning surface that extends the full width and 3'-0" depth of the ramp. A 4'-0" wide detectable warning surface may be used on a 4'-2" wide curb ramp. Detectable Warning Surfaces shall conform to the requirements in the Standard Specifications.
  - Sidewalk and ramp thickness, "T", shall be 3/2" minimum.
  - Utility pull boxes, manholes, vaults and all other utility facilities within the boundaries of the curb ramp will be relocated or adjusted to grade by the owner prior to, or in conjunction with, curb ramp construction.
  - Detectable warning surface may have to be cut to allow removal of utility covers while maintaining full detectable warning width and depth.



**RAISED TRUNCATED DOME PATTERN (IN-LINE) DETECTABLE WARNING SURFACE**  
See Note 9

STATE OF CALIFORNIA  
 DEPARTMENT OF TRANSPORTATION  
**CURB RAMP DETAILS**  
 NO SCALE  
 RSP A88A DATED JULY 15, 2016 SUPERSEDES RSP A88A DATED JULY 3, 2015,  
 RSP A88A DATED MARCH 21, 2014 AND RSP A88A DATED JULY 19, 2013 AND  
 STANDARD PLAN A88A DATED MAY 20, 2011 -  
 PAGE 121 OF THE STANDARD PLANS BOOK DATED 2010.

**REVISED STANDARD PLAN RSP A88A**

2010 REVISED STANDARD PLAN RSP A88A